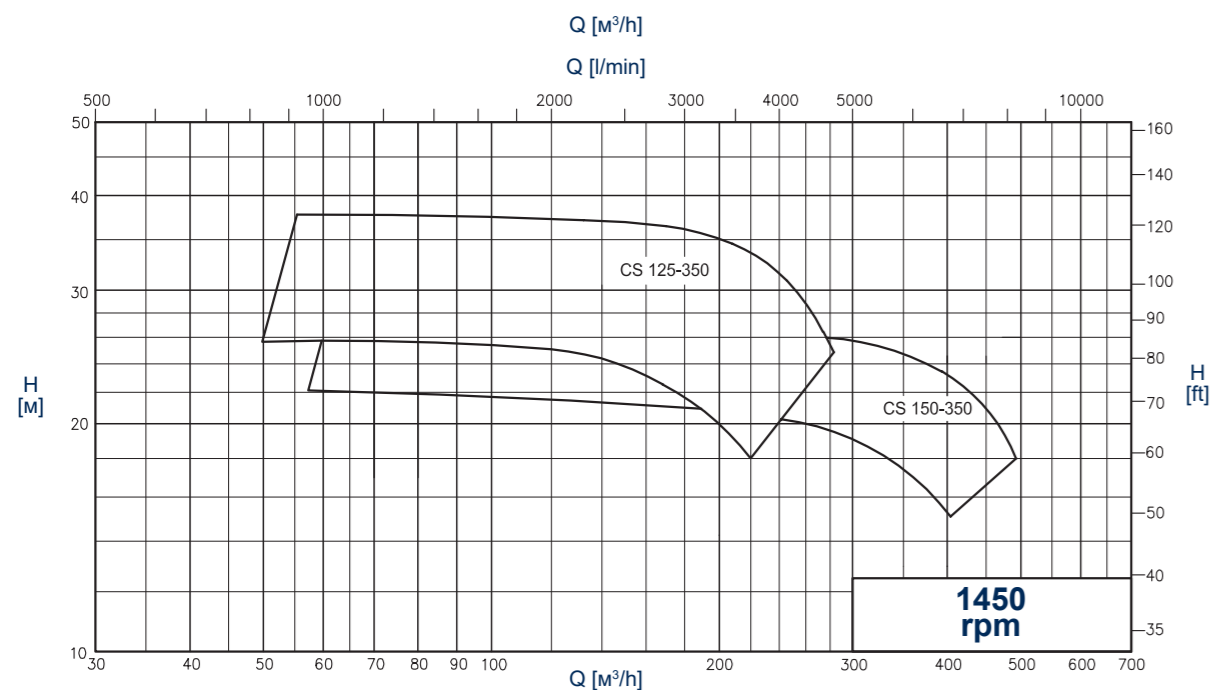
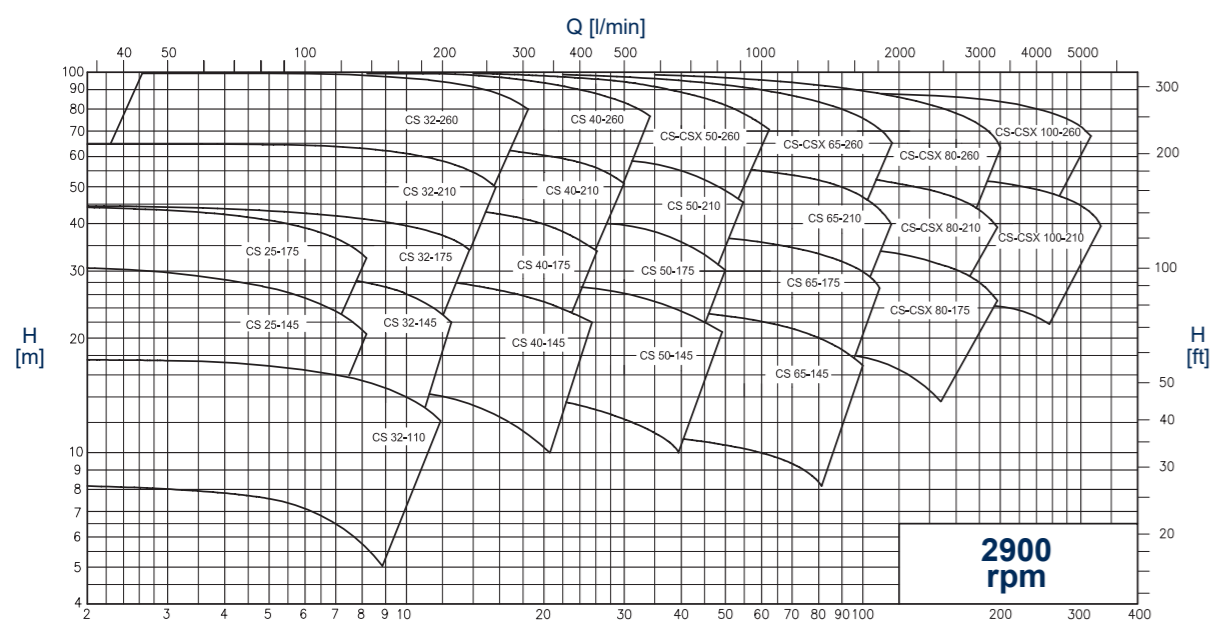
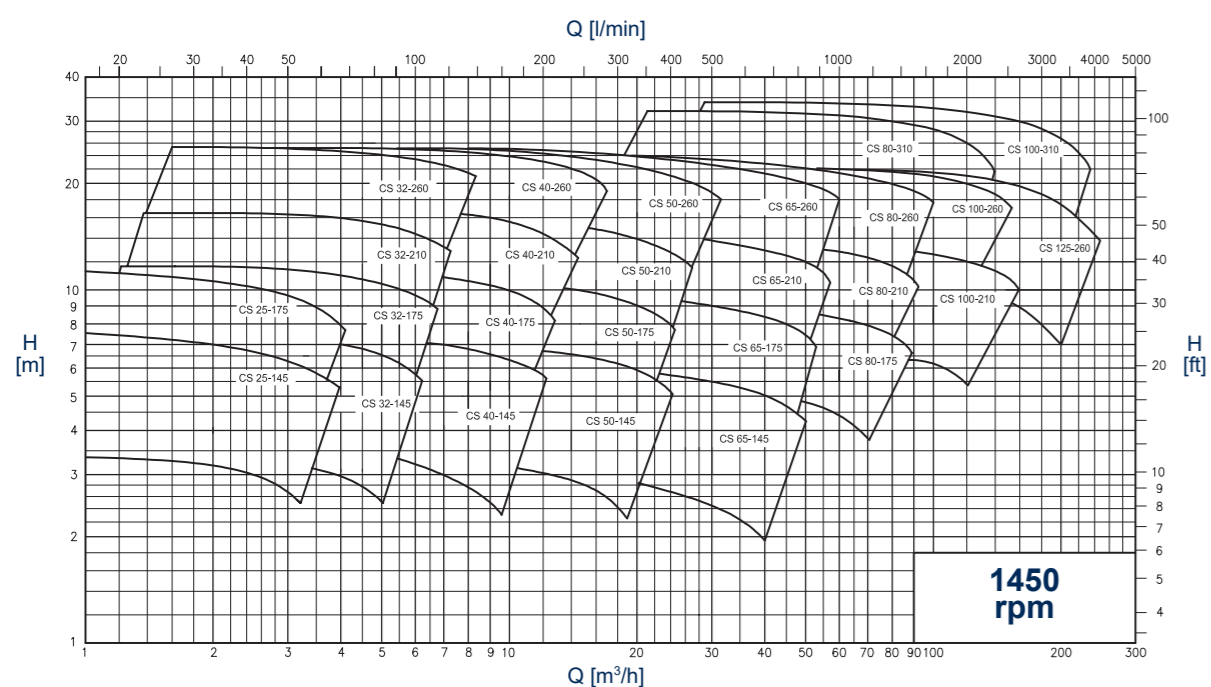
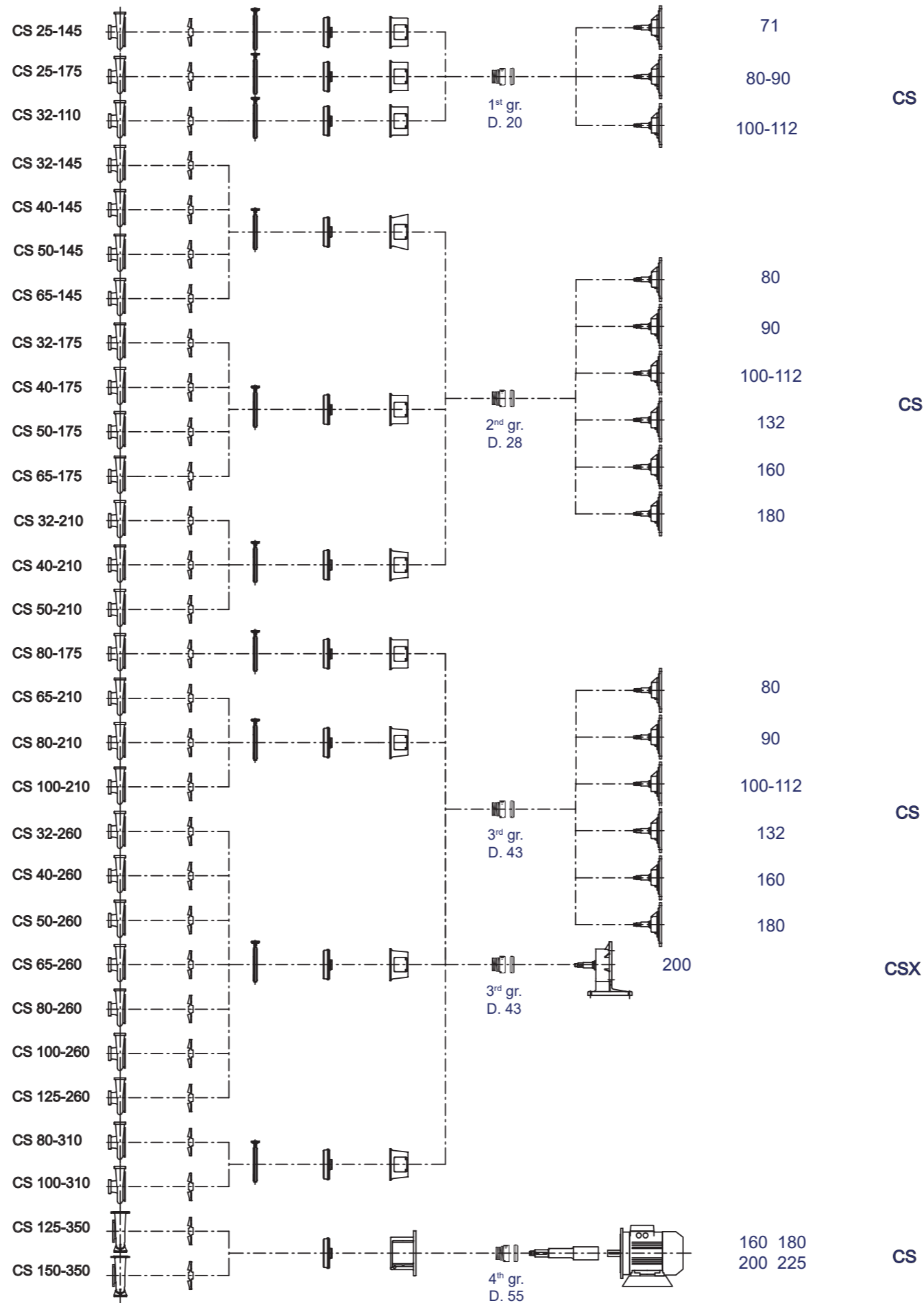


GENERAL DIAGRAMS
(Performance applies to H₂O at 20 °C, 1013 mbar. Data not binding)



A wide range of 29 models divided into 4 groups.



C.S.F. Inox S.p.A. Strada per Bibbiano, 7 - 42027 Montecchio E. (RE) - ITALY EU
Ph +39.0522.869911 r.a. - Fx +39.0522.865454 - italia@csf.it - www.csf.it
Export Department • Commercial Étranger • Comercial Extranjero
Ph +39.0522.869922 - Fx +39.0522.869841 - export@csf.it - www.csf.it



All the instructions, data and representations (in whatever way executed) listed in this publication are indicative and do not binding. C.S.F. does not stand surely or undertake any obligation for the utilisation of this document and for the information contained. In particular, it does not guarantee against omissions or errors of the data and drawings here indicated.
Notice that the technical specifications, information and representations in this document are merely indicative and approximate.
C.S.F. INOX reserves the right at any moment and without notice to modify the data, drawings and information indicated in this document.

DCATLCSGB 26/02/21



CENTRIFUGAL SANITARY PUMPS
CS - CSX series

Closed coupled hygienic centrifugal pumps with open impellers. CS Series pumps meet the highest requirements of the food, pharmaceutical, chemical and water treatment industries.

The pumps are designed to a modular concept, resulting in a large number of models and a massive performance range.

When combined with the extremely robust construction, these highly efficient pumps become ideal for any hygienic process system.

Wetted parts in CF-3M 1.4404 / AISI 316L stainless steel, investment cast and electro-chemically polished. Special internal finishes to 0,5 micron Ra are available on request (not on sizes 125 to 150). The clamp casing and seal design allows quick disassembly for inspection, cleaning and maintenance. It also enables the delivery port to be rotated to any position for easy installation (not on sizes 125 to 150).

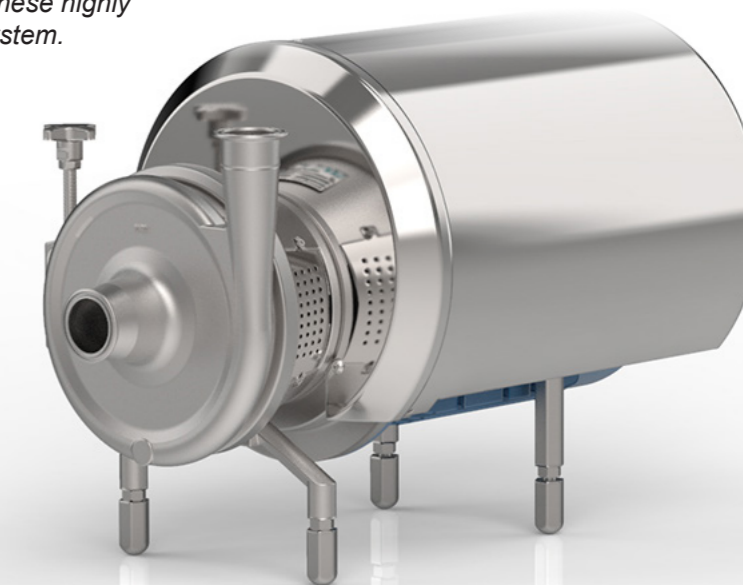
Separate IEC standard motor.

For aggressive products and environments, CS pumps can on special request, be manufactured in the following materials:

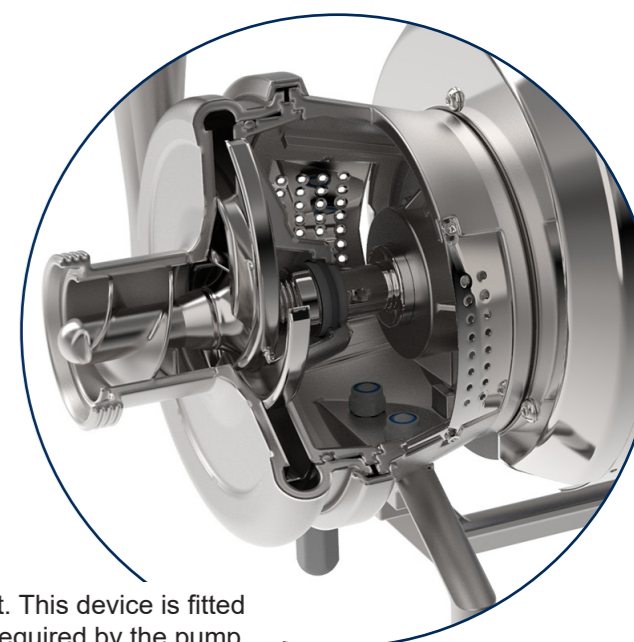
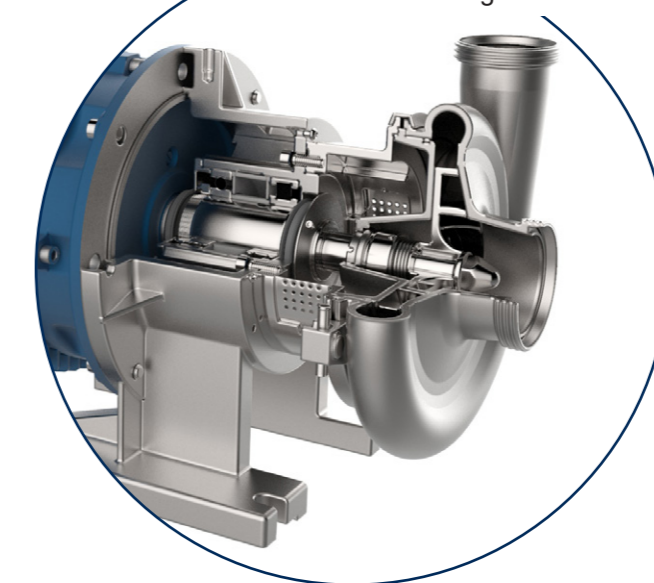
- Superduplex
- Nickel steel

Note: upon availability with CSF.

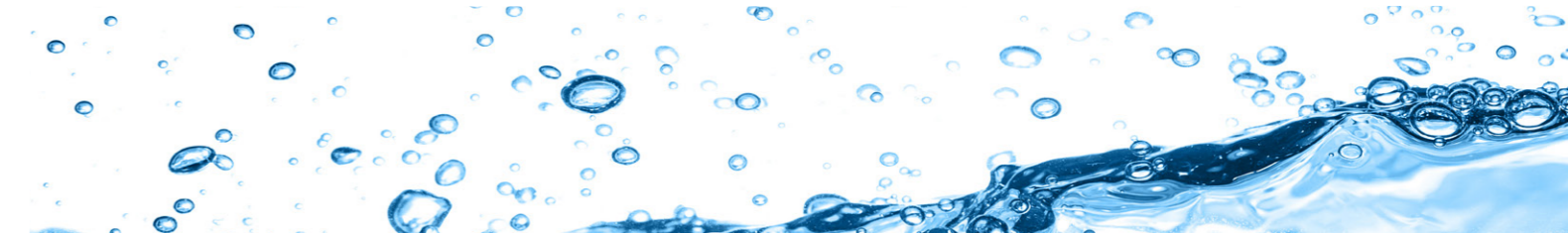
ATEX-compliant versions also available on request.



CS pump X execution, close coupled centrifugal pumps with separate support frame and grease lubricated bearings, for extremely arduous applications.



Special version equipped with an inducer in the suction port. This device is fitted immediately upstream of the impeller to reduce the NPSH required by the pump.



TECHNICAL DATA

Flow rates up to 500 m3/h
 Heads up to 100 m
 Maximum operating pressure 10 bar up to 100°C
 Temperature range -20°+ +100°
 (on request up to 140 °C for water and up to 190°C for food oil, to be specified on purchase order).
 High performance, with low NPSH values.

Mechanical seals:

With seats to EN 12756, ISO 3069 standards.
 Single internal mechanical seal
 Single external flushed mechanical seal
 Double external flushed mechanical seal

Elastomers (FDA Regulation (EC) No. 1935/2004):

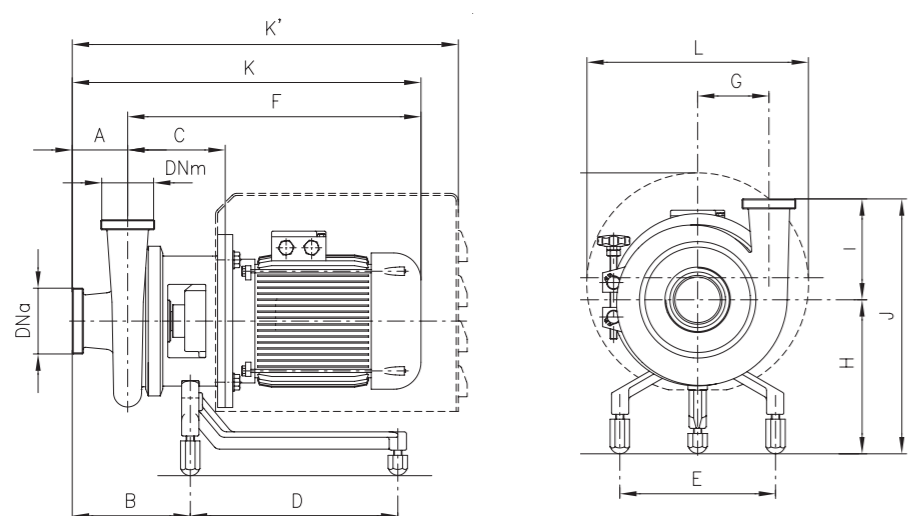
Nitrile (NBR)
 Ethylene propylene (EPDM)
 Special fluorocarbon seal
 Fluorocarbon seal (FPM - FKM)
 FEP
 FFPM - FFKM
 Silicone

Connections:

DIN - SMS - IDF - BS / RJT - DS - CLAMP and
 EN1092-1 PN16 flanges suitable for all international standards.

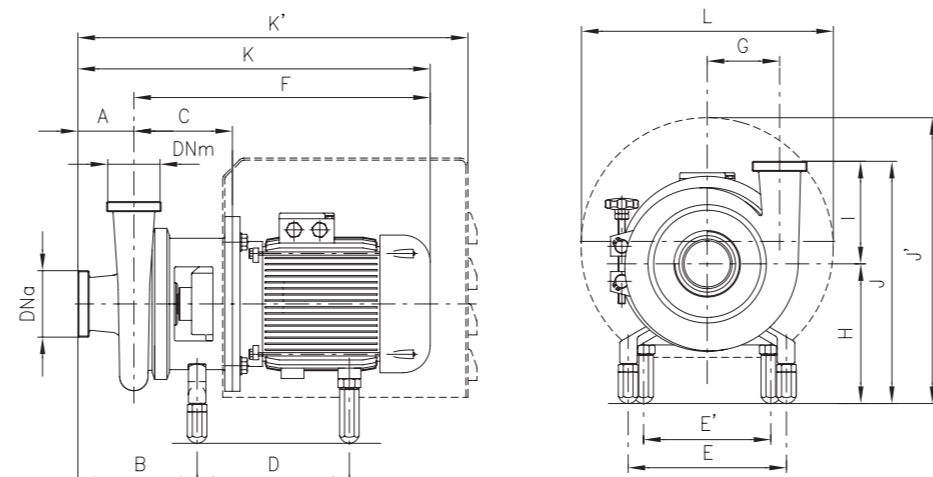
OVERALL DIMENSIONS

Dimensions not binding - DN = DIN 11851 male threaded connections with standard IEC/EN motors



Pump type	IEC motor dimensions:	DNa	DNm	A	B	C	D	E	F	G	H	K	K'	I	J	J'	L		
CS 25-145	71	32	25	75	144	117	190	178	335	81	158	410	532	145	303	300	239		
	80					359			434			541	340					298	
	90					403			478										
CS 25-175	71	32	25	65	134	117	190	178	335	96	164	424	522	149	313	346	298		
	80					359			468										
	90					403			519			619	359					353	330
	100					466			531										
CS 32-110	71	40	32	70	137	117	190	178	335	65	149	405	527	110	259	291	239		
	80					359			429			536	331					298	
	90					403			473										
	100					473													
CS 32-145	80	40	32	80	167	138	231	225	374	85	208	454	566	145	353	372	298		
	90					418			535										
	100					455			547										
	112					467													
CS 32-175	80	40	32	80	167	139	231	225	375	95	213	455	567	150	363	385	298		
	90					419			536										
	100					456			548										
	112					468													
CS 32-210	80	40	32	80	158	139	231	225	375	110	221	455	567	165	386	385	298		
	90					419			536										
	100					456			548										
	112					468													
CS 32-260	80	50	32	90	184	163	231	225	443	140	238	570	670	172	410	443	330		
	90					480			582										
	100					492													
	112					492													
CS 40-145	80	50	40	80	168	139	231	225	375	90	208	455	567	133	341	372	298		
	90					418			535										
	100					455			547										
	112					467													
CS 40-175	80	50	40	80	169	141	231	225	377	95	213	457	569	150	363	377	298		
	90					421			501			638	370					430	330
	100					458			538										
	112					470			550										
CS 40-210	80	50	40	80	161	141	231	225	421	115	230	501	569	165	386	385	298		
	90					458			538										
	100					470			550										
	112					470													

Pump type	IEC motor dimensions:	DNa	DNm	A	B	C	D	E	F	G	H	K	K'	I	J	J'	L			
CS 40-260	90	50	40	100	194	163	231	225	443	145	221	543	611	172	393	385	298			
	100					480			580			680	410					443	330	
	112					492			592											
CS 50-145	80	65	50	80	170	141	231	225	377	95	208	457	569	145	353	372	298			
	90					421			501			638	370					430	330	
	100					458			538											
	112					470			550											
CS 50-175	80	65	50	80	169	141	231	225	377	100	213	457	569	150	363	377	298			
	90					421			501			638	380					435	330	
	100					458			538											
	112					470			550											
CS 50-210	90	65	50	80	161	141	231	225	421	120	221	501	569	165	386	385	298			
	100					458			538											
	112					470			550											
	100					481			571											
CS 50-260	80	65	50	90	185	165	301	225	481	145	238	571	671	175	413	443	330			
	90					493			583											
	100					493			583											
	112					493			583											
CS 65-145	80	80	65	79	173	145	231	225	381	112	208	460	572	145	353	372	298			
	90					425			504											
	100					462			541			642	145					370	430	330
	112					474			553											
CS 65-175	90	80	65	80	172	144	231	225	424	120	213	504	572	150	363	377	298			
	100					461			541			641	380					435	330	
	112					473			553											
	90					448			538			605	386					385	298	
CS 65-210	100	80	65	90	189	168	231	225	485	135	221	538	605	165	403	443	330			
	100					497			575			675	403					443	330	
	112					497			587											
	100					484			584			684	205					443	330	
CS 65-260	100	80	65	100	198	168	301	225	496	155	238	596	684	205	443	443	330			
	112					496			596											
	100					490			590			690	164					394	435	330
	112					502			602											
CS 80-175	100	100	80	100	204	174	301	225	490	139	230	590	690	164	394	435	330			
	112					502			602											
	100					487			587			687	165					403	443	330
	112					499			599											
CS 80-210	100	100	80	100	201	171	301	225	487	145	238	587	687	165	403	443	330			
	112					499			587			687	165					403	443	330
	100					487			587			687	165					403	443	330
	112					499			599											
CS 80-260	100	100	80	100	201	171	301	225	487	165	238	587	687	209	447	443	330			
	112					499			587			687	209					447	443	330
	100					487			587			687	209					447	443	330
	112					499			599											



Pump type	IEC motor dimensions:	DNa	DNm	A	B	C	D	E	E'	F	G	H	K	K'	I	J	J'	L					
CS 32-210	132 S	40	32	80	158	161	309	225	198	571	110	238	651	735	165	403	460	370					
	132 M					206			446	254			733	813					907	546	478		
	160																						
CS 32-260	132 S	50	32	90	184	185	318	225	198	595	140	238	685	769	172	410	460	370					
	132 M					225			450	254			752	247					842	940	419	555	478
	160																						
CS 40-145	132 S	50	40	80	164	164	301	225	198	574	95	230	654	742	150	380	452	370					
	132 M					198			574	95			230	654					738	150	380	460	370
	160					254			735	115			238	815					909	165	403	546	478
CS 40-175	132 S	50	40	80	169	164	301	225	198	574	95	230	654	738	150	380	460	370					
	132 M					198			574	95			230	654					738	150	380	460	370
	160					254			735	115			238	815					909	165	403	546	478
	180					279			779	145			247	852					950	172	419	555	478
CS 40-210	132 S	50	40	80	161	164	309	225	198	574	115	238	654	738	165	403	460	370					
	132 M					198			574	115			238	654					738	165	403	460	370
	160					254			735	145			247	852					950	172	419	555	478
	180					279			779	145			247	852					950	172	419	555	478
CS 40-260	132 S	50	40	100	194	185	318	225	198	595	145	238	695	779	172	410	460	370					
	132 M					198			595	145			238	695					779	172	419	555	478
	160					254			752	145			238	815					909	165	403	546	478
	180					279			779	145			238	815					909	165	403	546	478
CS 50-145	132 S	65	50	80	170	164	300	225	198	574	95												