


Accessory for pneumatic rotary actuators

- ATEX variants available
- Perfectly suited for pneumatic rotary actuators: 2051 and 2052

Product variants described in the data sheet may differ from the product presentation and description.

Can be combined with

- | | | |
|---|---|---|
|  | Type 8805
Ball valve / Butterfly valve with pneumatic rotary actuator | ▶ |
|  | Type TEU007
Limit value switch | ▶ |
|  | Type TEU005
Cylinder switch | ▶ |

Type description

TEU consists of a position indicator and final position feedback. It can be combined with the pneumatic rotary actuators 2051 and 2052.

- TEU001 - Electromechanical final position feedback with optical indicator.
- TEU003 - Non-contact position feedback with optical position indicator.
- TEU002 - Electromechanical position feedback, explosion proof.
- TEU004 - Non-contact position feedback, EExi, explosion proof, with optical position indicator.




TEU001 ▶
Electromechanical final position feedback with optical indicator



TEU003 ▶
Non-contact position feedback with optical position indicator



TEU002 ▶
Electromechanical position feedback, explosion proof 



TEU004 ▶
Non-contact position feedback, EExi, explosion proof, with optical position indicator

Table of contents

1. Type TEU001 - Electromechanical final position feedback with optical indicator	3
1.1. General technical data	3
1.2. Dimensions	3
1.3. Device/Process connections	3
Terminal connection diagram micro switch	3
1.4. Ordering information	3
Ordering chart.....	3
2. Type TEU003 - Non-contact position feedback with optical position indicator	4
2.1. General technical data	4
2.2. Dimensions	4
2.3. Device/Process connections	4
Terminal connection diagram 3-wires, PNP.....	4
2.4. Ordering information	4
Ordering chart.....	4
3. Type TEU002 - Electromechanical position feedback, explosion proof	5
3.1. General technical data	5
3.2. Dimensions	5
3.3. Device/Process connections	5
Terminal connection diagram.....	5
3.4. Ordering information	5
Ordering chart.....	5
4. Type TEU004 - Non-contact position feedback, EExi, explosion proof, with optical position indicator	6
4.1. General technical data	6
4.2. Dimensions	6
4.3. Device/Process connections	6
Terminal connection diagram 2-wires, NAMUR.....	6
4.4. Ordering information	6
Ordering chart.....	6

1. Type TEU001 - Electromechanical final position feedback with optical indicator

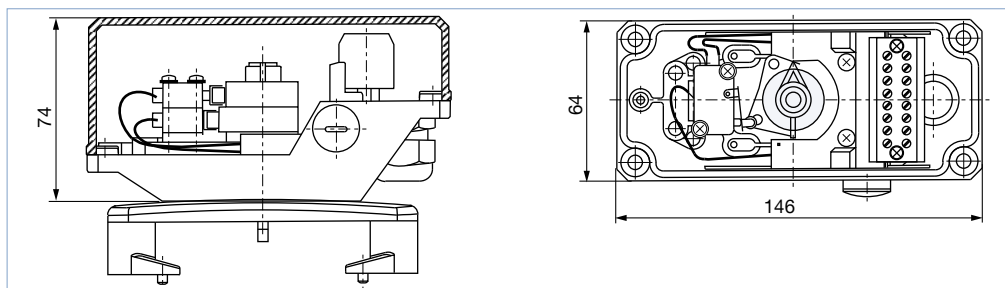
1.1. General technical data

Product properties	
Material	
Base	Vestamid
Cover	Macrolon
Console	Stainless steel, according to Namur
Dimensions	For detailed information, see the following chapter.
Limit switches	Changer (micro switch)
Operating temperature	-20 ... +100 °C
Electrical data	
Operating voltage	0,1 ... 250 V AC
Continuous current	6 A
Product connections	
Electrical connection	Above connecting terminal plate M12 × 1,5

1.2. Dimensions

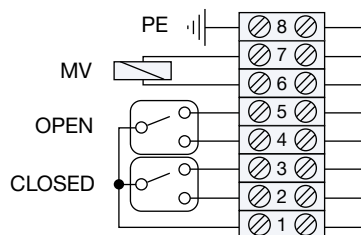
Note:

Dimensions in mm



1.3. Device/Process connections

Terminal connection diagram micro switch



1.4. Ordering information

Ordering chart

Hole gauge [mm]	Wave height [mm]	Article no.
80 × 30	20	788872
80 × 30	30	788911
130 × 30	30	788912
130 × 30	50	788913

2. Type TEU003 - Non-contact position feedback with optical position indicator

2.1. General technical data

Product properties

Material

Base	Vestamid
Cover	Macrolon
Dimensions	For detailed information, see the following chapter.
Limit switches	Double initiator Make: Pepperl+Fuchs NBN3-F25-E8
Display status	LED, yellow
Operating temperature	-25 ... +70 °C

Electrical data

Operating voltage	10 ... 30 V DC
-------------------	----------------

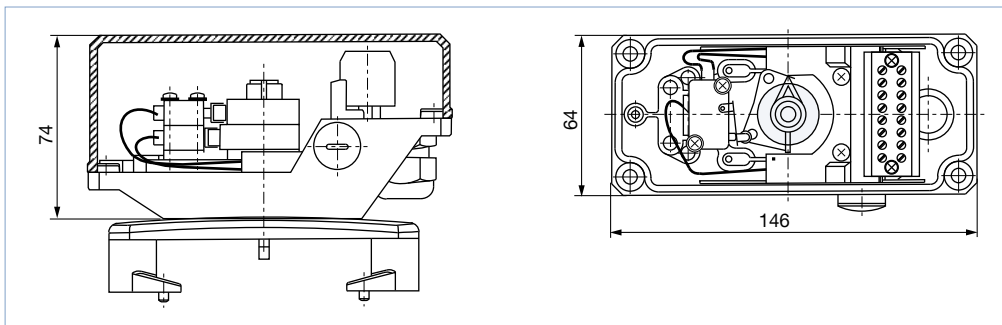
Product connections

Electrical connection	Above connecting terminal plate PG 13,5 mm
-----------------------	--

2.2. Dimensions

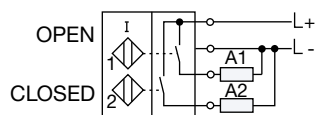
Note:

Dimensions in mm



2.3. Device/Process connections

Terminal connection diagram 3-wires, PNP



2.4. Ordering information

Ordering chart

Hole gauge [mm]	Wave height [mm]	Article no.
80 × 30	20	788914
80 × 30	30	788915
130 × 30	30	788916
130 × 30	50	788962

3. Type TEU002 - Electromechanical position feedback, explosion proof

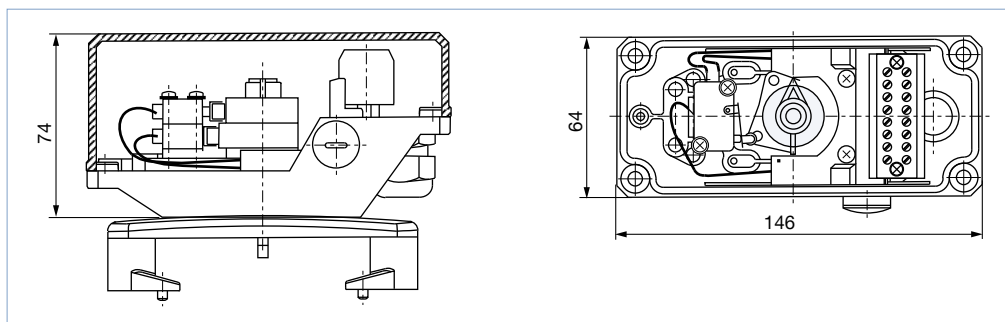
3.1. General technical data

Product properties	
Material	
Base	Vestamid
Cover	Vestamid
Dimensions	For detailed information, see the following chapter.
Limit switches	Micro switch Make: Crouzet, Type 83 139 1
Operating temperature	-20 ... +60 °C
Type of protection	EEx ed IIC T6
Electrical data	
Operating voltage	0,1 ... 250 V AC
Strom	4 A
Product connections	
Electrical connection	Above connecting terminal plate M20 x 1,5

3.2. Dimensions

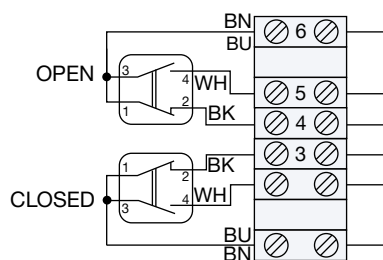
Note:

Dimensions in mm



3.3. Device/Process connections

Terminal connection diagram



3.4. Ordering information

Ordering chart

Hole gauge [mm]	Wave height [mm]	Article no.
80 x 30	20	788958
80 x 30	30	788959
130 x 30	30	788960
130 x 30	50	788961

4. Type TEU004 - Non-contact position feedback, EExi, explosion proof, with optical position indicator

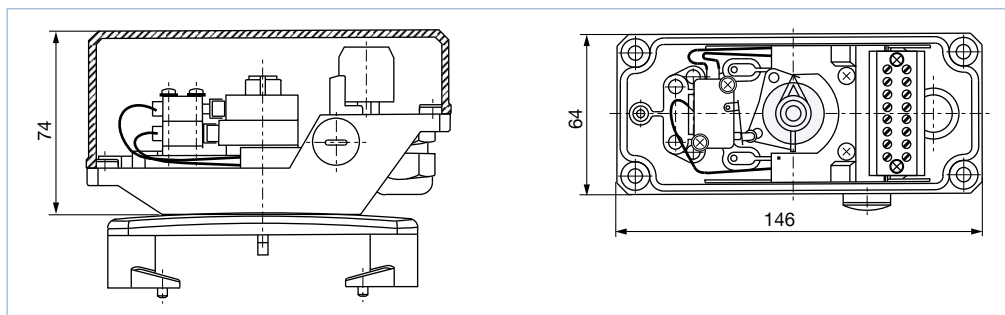
4.1. General technical data

Product properties	
Material	
Base	Vestamid
Cover	Macrolon
Dimensions	For detailed information, see the following chapter.
Limit switches	2-wire circuit breaker (DIN 10234) Double initiator, NAMUR Make: Pepperl+Fuchs NCN3-F25F-N4
Operating temperature	-25 ... +85 °C
Type of protection	EExi
Electrical data	
Operating voltage	8 V DC
Product connections	
Electrical connection	Above connecting terminal plate M20 × 1,5

4.2. Dimensions

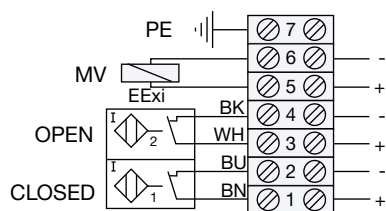
Note:

Dimensions in mm



4.3. Device/Process connections

Terminal connection diagram 2-wires, NAMUR



4.4. Ordering information

Ordering chart

Hole gauge [mm]	Wave height [mm]	Article no.
80 × 30	20	788873
80 × 30	30	788955
130 × 30	30	788956
130 × 30	50	788957

Bürkert – Close to You

For up-to-date addresses
please visit us at
www.burkert.com

DTS 1000173856 EN Version: E Status: RL (released | freigegeben | validé) printed: 10.09.2019

