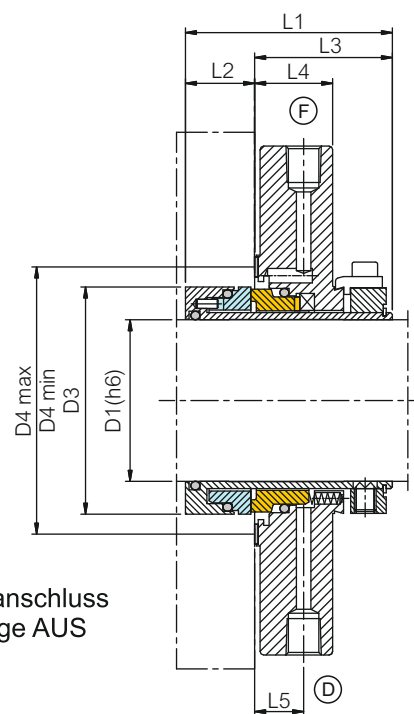
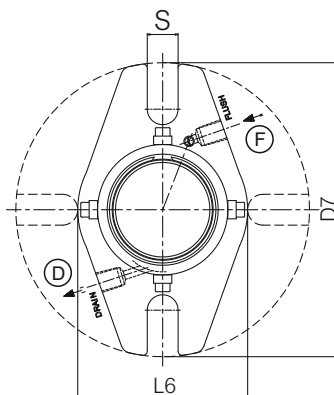
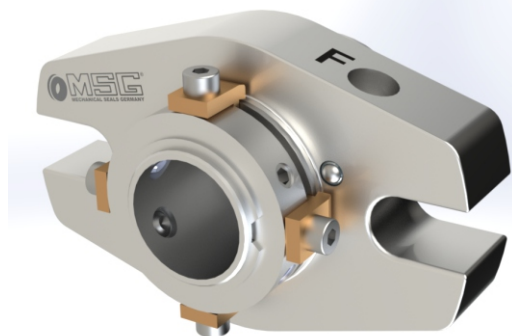


Einfachdichtung mit schmaler Brille
Entlastet
Massive Gleitringe
Drehrichtungsunabhängig
Stationär befedert
Spülanschluß Standard



F= Spülanschluß
 D= Leakage AUS

Werkstoffe:
 Rotierend: Q, U
 Stationär: A, B, Q, U
 Nebendichtungen: P, E, V, K, M

MILLIMETER

D1	D3	D4 min	D4 max	L1	L2	L3	L4	L5	L6	D7	S	Anschluss
25	43.5	49	60	57	19	38	21.5	13.5	62	104	12.5	1/8 NPT
28	46.5	50	61	57	19	38	21.5	13.5	62	104	12.5	1/8 NPT
30	48.5	52	63	57	19	38	21.5	13.5	65	104	12.5	1/8 NPT
33	51.5	54	65	57	19	38	21.5	13.5	67	104	12.5	1/8 NPT
35	53.5	57	68	57	19	38	21.5	13.5	70	115	12.5	1/8 NPT
38	56.5	62	73	57	19	38	21.5	13.5	75	125	14.7	1/8 NPT
40	58.5	62	73	57	19	38	21.5	13.5	75	125	14.7	1/8 NPT
42	60.5	66	77	57	19	38	21.5	13.5	79	133	14.7	1/8 NPT
43	61.5	67	78	57	19	38	21.5	13.5	80	133	14.7	1/8 NPT
45	63.5	68	79	57	19	38	21.5	13.5	81	140	14.7	1/8 NPT
48	66.5	71	82	57	19	38	21.5	13.5	86	140	14.7	1/8 NPT
50	68.5	74	85	57	19	38	21.5	13.5	87	140	14.7	1/8 NPT
53	71.5	77	88	57	19	38	21.5	13.5	90	150	17.5	1/8 NPT
55	73.5	79	90	57	19	38	21.5	13.5	82	150	17.5	1/8 NPT
58	76.5	82	93	57	19	38	21.5	13.5	85	155	17.5	1/8 NPT
60	78.5	87	98	57	19	38	21.5	13.5	100	160	17.5	1/8 NPT
63	81.5	90	101	57	19	38	21.5	13.5	103	165	17.5	1/8 NPT
65	83.5	92	103	57	19	38	21.5	13.5	105	165	17.5	1/8 NPT
68	86.5	97	108	57	19	38	21.5	13.5	110	170	17.5	1/8 NPT
70	88.5	107	118	57	19	38	21.5	13.5	120	180	17.5	1/8 NPT
75	91.5	110	121	57	19	38	21.5	13.5	130	200	17.5	1/8 NPT
80	93.5	112	123	57	19	38	21.5	13.5	140	200	17.5	1/8 NPT

ZOLL

D1	D3	D4 min	D4 max	L1	L2	L3	L4	L5	L6	D7	S	Anschluss
1.000	1.831	1.929	2.402	2.244	0.748	1.496	0.846	0.531	2.440	4.094	0.492	1/8 NPT
1.125	1.909	2.047	2.480	2.244	0.748	1.496	0.846	0.531	2.440	4.094	0.492	1/8 NPT
1.250	2.028	2.126	2.559	2.244	0.748	1.496	0.846	0.531	2.637	4.094	0.492	1/8 NPT
1.375	2.106	2.244	2.677	2.244	0.748	1.496	0.846	0.531	2.756	4.528	0.492	1/8 NPT
1.500	2.224	2.441	2.874	2.244	0.748	1.469	0.846	0.531	2.953	4.921	0.579	1/8 NPT
1.625	2.382	2.598	3.031	2.244	0.748	1.469	0.846	0.531	3.110	5.236	0.579	1/8 NPT
1.750	2.500	2.577	3.110	2.244	0.748	1.469	0.846	0.531	3.189	5.512	0.579	1/8 NPT
1.875	2.618	2.795	3.228	2.244	0.748	1.469	0.846	0.531	3.307	5.512	0.579	1/8 NPT
2.000	2.815	3.031	3.465	2.244	0.748	1.469	0.846	0.531	3.622	5.906	0.689	1/8 NPT
2.125	2.894	3.110	3.543	2.244	0.748	1.469	0.846	0.531	3.622	5.906	0.689	1/8 NPT
2.250	3.012	3.228	3.661	2.244	0.748	1.469	0.846	0.531	3.740	6.102	0.689	1/8 NPT
2.375	3.091	3.425	3.858	2.244	0.748	1.469	0.846	0.531	3.937	6.299	0.689	1/8 NPT
2.500	3.209	3.543	3.976	2.244	0.748	1.469	0.846	0.531	4.055	6.496	0.689	1/8 NPT
2.625	3.406	3.819	4.252	2.244	0.748	1.469	0.846	0.531	4.331	6.693	0.689	1/8 NPT
2.750	3.484	4.213	4.646	2.244	0.748	1.469	0.846	0.531	4.724	7.087	0.689	1/8 NPT