



## Direct-acting 2/2-way solenoid valve

- Block screwed coil system
- Up to DN 12
- Brass or stainless steel valve body
- Wide range of applications



Product variants described in the data sheet may differ from the product presentation and description.

### Can be combined with



#### Type 2518

Cable plug, form A according to DIN EN 175301-803



#### Type 1087

Timer, form A according to DIN EN 175301 - 803

### Type description

This direct-acting plunger solenoid valve Type 0256 can be used in many ways. It is delivered with brass or stainless steel bodies for a wide range of orifices and connections.

## Table of contents

<b>1. General technical data</b>	<b>3</b>
<b>2. Circuit functions</b>	<b>4</b>
<b>3. Materials</b>	<b>4</b>
3.1. Chemical Resistance Chart – Bürkert resistApp.....	4
3.2. Material specifications .....	4
<b>4. Dimensions</b>	<b>5</b>
<b>5. Ordering information</b>	<b>6</b>
5.1. Bürkert eShop – Easy ordering and quick delivery.....	6
5.2. Bürkert product filter .....	6
5.3. Ordering chart.....	7
Brass body AF12 -56 mm .....	7
Brass body 74 mm.....	8
Stainless steel body 74 mm.....	8
5.4. Ordering chart accessories.....	9
Mounting set brass body .....	9
Mounting set stainless steel body .....	9
Cable plug Type 2518, form A according to DIN EN 175301 - 803 .....	10
Timer Type 1087, form A according to DIN EN 175301 - 803 .....	10

## 1. General technical data

Product properties	
Dimensions	Detailed information can be found in chapter "4. Dimensions" on page 5.
Material	
Seal	NBR, FKM, others on request
Body	Brass (Body C with stainless steel seat 1.4112, except NBR version) or stainless steel 1.4581
Pressure valves	Gauge pressures with respect to the prevailing atmosphere pressure
Performance data	
Duty cycle	100 % continuous rating
K <sub>v</sub> value water	Measured at +20 °C, 1 bar pressure at valve inlet and free outlet
Switching time <sup>1.)</sup>	
Switching time AC	Opening: 10...20 ms Closing: 20...30 ms
Switching time DC	Opening: 20...80 ms Closing: 20...30 ms
Electrical data	
Voltage tolerance	± 10 %
Medium data	
Operating medium	
NBR	Neutral media, compressed air, water, oil
FKM	Hot air, hot oils, oils with additives
All materials	Technical vacuum
Medium temperature	
NBR (EPDM on request)	- 10 °C...+ 80 °C
FKM	- 10 °C...+ 130 °C
Viscosity	Max. 21 mm <sup>2</sup> /s
Process/Port connection & communication	
Electrical connection	Cable plug for Ø 7 mm cable (supplied as standard) <sup>2.)</sup>
Approvals and certificates	
Degree of protection	IP65 with cable plug
Environment and installation	
Installation position	As required, preferably with actuator upright
Ambient temperature	Max. +55 °C

1.) Measurement at 6 bar and +20 °C at the valve outlet, opening: pressure build-up 0...90 %, closing: pressure reduction 100...10 %

2.) Cable plug Type 2518 (supplied as standard) acc. to DIN EN 175 301 - 803, form A

## 2. Circuit functions

Circuit functions	Description
	<b>Type: A, solenoid valve</b> 2/2 way Direct-acting Normally closed

## 3. Materials

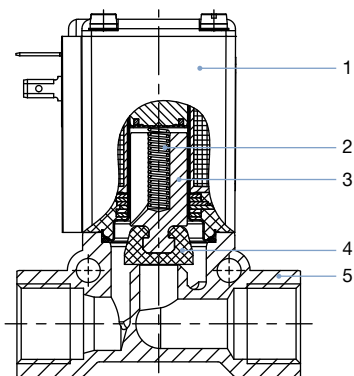
### 3.1. Chemical Resistance Chart – Bürkert resistApp

**Bürkert resistApp – Chemical Resistance Chart**

You want to ensure the reliability and durability of the materials in your individual application case? Verify your combination of media and materials on our website or in our resistApp.

[Start Chemical Resistance Check](#)

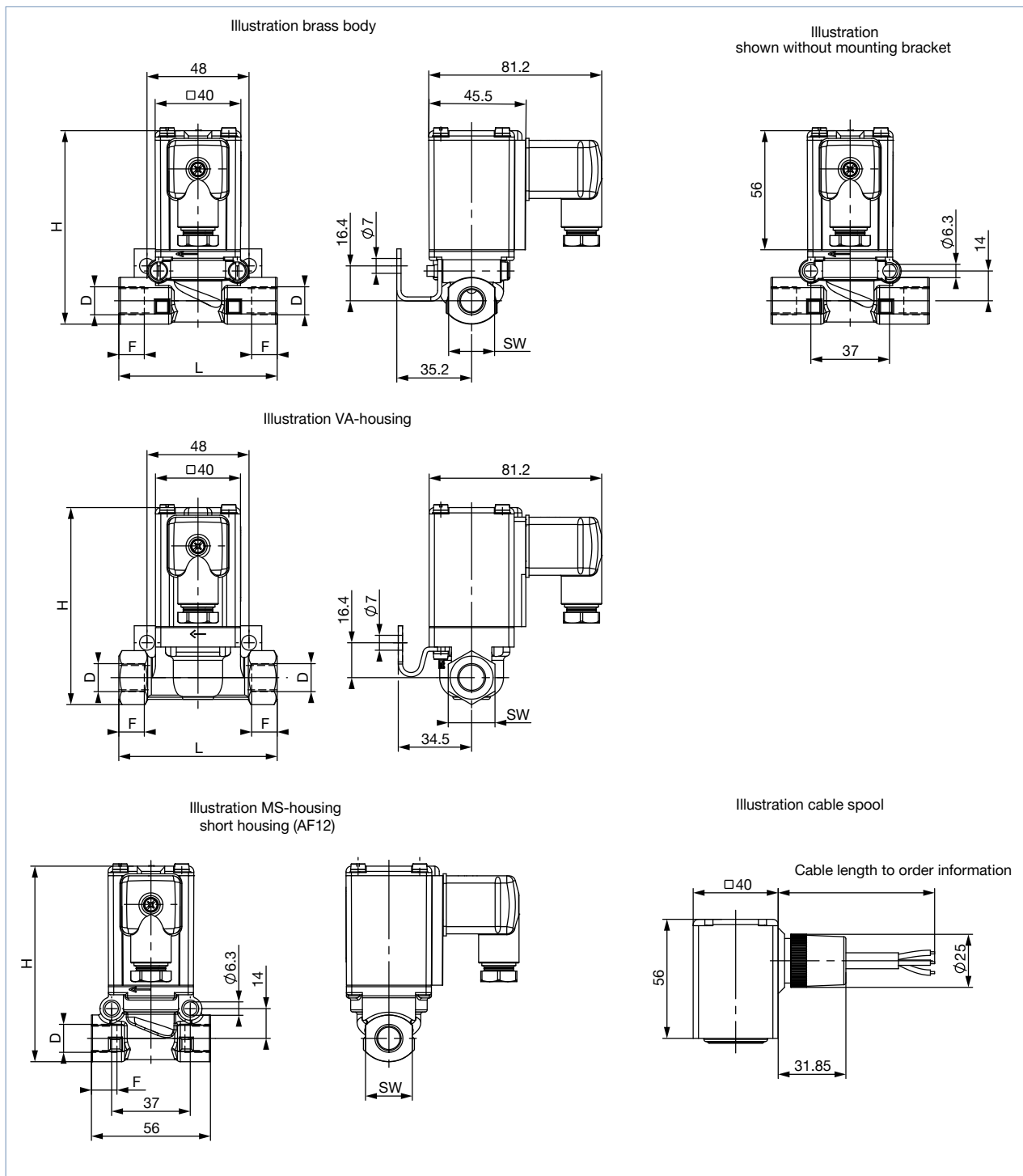
### 3.2. Material specifications



No.	Element	Material
1	Coil	Epoxy
2	Spring	Stainless steel 1.4310
3	Core	Stainless steel 1.4105
4	Seal	NBR/FKM (EPDM on request)
5	Body	Brass, stainless steel 1.4581

### 4. Dimensions

**Note:**  
Dimensions in mm




Body material	Connection D	F [mm]	H [mm]	L [mm]	SW [mm]
Brass	G ¼	12	91	74.5	22
Brass	G ⅜	12	91	74.5	22
Brass	G ½	14	94	74.5	27

Body material	Connection D	F [mm]	H [mm]	L [mm]	SW [mm]
Stainless steel	G ¼	12	92	74.5	22
Stainless steel	G ½	14	95.6	74.5	27
Brass	G ¼	12	92	56	22
Brass	G ⅝	12	92	56	22

## 5. Ordering information

### 5.1. Bürkert eShop – Easy ordering and quick delivery

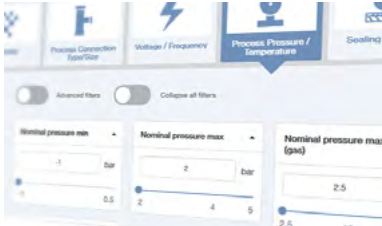


**Bürkert eShop – Easy ordering and quick delivery**

You want to find your desired Bürkert product or spare part quickly and order directly? Our online shop is available for you 24/7. Sign up and enjoy all the benefits.

[Order online now](#)

### 5.2. Bürkert product filter



**Bürkert product filter – Get quickly to the right product**

You want to select products comfortably based on your technical requirements? Use the Bürkert product filter and find suitable articles for your application quickly and easily.

[Try out our product filter](#)

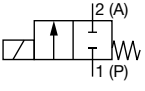
DTS 1000010918 EN Version: G Status: RL (released | freigegeben | validé) printed: 12.07.2023

### 5.3. Ordering chart

**Note:**

- A cable plug is included in the delivery.
- The mounting bracket is included in the delivery for versions with VAR KC74.
- The mounting bracket can be ordered separately (see “5.4. Ordering chart accessories” on page 9).
- Body C with stainless steel seat 1.4112, except NBR version

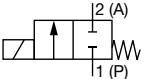
**Brass body AF12 - 56 mm**

Circuit function	Port connection	Orifice	K <sub>v</sub> value water <sup>1.)</sup>	Pressure range <sup>2.)</sup>			Article no. per voltage/frequency				
				Liquids and gases	Liquids	Gases	024/DC	024/50	110/50	230/50	
					DC	AC					[bar]
		[mm]	[m <sup>3</sup> /h]	[bar]	[bar]	[bar]	[V/Hz]	[V/Hz]	[V/Hz]	[V/Hz]	
<b>A, solenoid valve</b> 2/2 way Direct-acting Normally closed 	<b>Seal material NBR</b>										
	G ¼	3	0.25	0...10	0...22	0...22	145725	045819	-	145803	
		4	0.5	0...6	0...12	0...16	145727	145728	145730	145731	
		5	0.65	0...2.5	0...6	0...12	145747	145748	145749	145750	
		6	0.8	0...2	0...4	0...8	145759	145761	-	145764	
	G ⅜	3	0.25	0...10	0...22	0...22	-	-	-	-	
		4	0.5	0...6	0...12	0...16	145733	145734	145735	145736	
		5	0.65	0...2.5	0...6	0...12	145752	145753	-	145755	
		6	0.8	0...2	0...4	0...8	145766	145767	145768	145769	
	G ½	8	0.9	0...0.5	0...1.5	0...2.5	145778	145779	145780	145781	
		<b>Seal material FKM</b>									
		G ¼	3	0.25	0...10	0...22	0...22	047627	-	-	-
			4	0.5	0...6	0...12	0...16	044092	041014	-	056970
	5		0.65	0...2.5	0...6	0...12	066997	-	-	041694	
	6		0.8	0...2	0...4	0...8	052431	145774	-	057189	
	G ⅜	3	0.25	0...10	0...22	0...22	151023	-	-	056772	
		4	0.5	0...6	0...12	0...16	145739	-	-	145740	
		5	0.65	0...2.5	0...6	0...12	054157	042514	-	040942	
		6	0.8	0...2	0...4	0...8	056636	145775	045873	056544	
	8	0.9	0...0.5	0...1.5	0...2.5	043389	-	-	145783		

1.) Measurement at 1 bar and +20 °C at the valve inlet and free outlet

2.) Overpressure with respect to atmospheric pressure (the pressure rates for liquids are specified on the type plate)

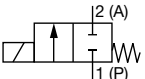
## Brass body 74 mm

Circuit function	Port connection	Orifice	K <sub>v</sub> value water <sup>1.)</sup>	Pressure range <sup>2.)</sup>			Article no. per voltage/frequency			
				DC	AC		024/DC	024/50	110/50	230/50
				Liquids and gases	Liquids	Gases				
[mm]	[m <sup>3</sup> /h]	[bar]	[bar]	[bar]	[V/Hz]	[V/Hz]	[V/Hz]	[V/Hz]		
<b>A, solenoid valve</b> 2/2 way Direct-acting Normally closed 	<b>Seal material NBR</b>									
	G ¼	4	0.5	0...6	0...12	0...16	055418 ☞	145729 ☞	-	054569 ☞
		6	0.8	0...2	0...4	0...8	145760 ☞	054924 ☞	054729 ☞	145763 ☞
	G ⅜	6	0.8	0...2	0...4	0...8	055963 ☞	053680 ☞	-	054360 ☞
		10	1.5	0...0,4	0...1	0...1,5	145784 ☞	145805 ☞	040521 ☞	145786 ☞
	G ½	6	0.8	0...2	0...4	0...8	145771 ☞	057212 ☞	065499 ☞	145772 ☞
		8	0.9	0...0,5	0...1,5	0...2,5	040532 ☞	043220 ☞	065361 ☞	056421 ☞
		10	1.5	0...0,4	0...1	0...1,5	145788 ☞	145789 ☞	145790 ☞	120133 ☞
		12	1.8	0...0,1	0...0,5	0...1	145796 ☞	145797 ☞	-	145799 ☞
	<b>Seal material FKM</b>									
	G ¼	4	0.5	0...6	0...12	0...16	056010 ☞	-	-	145738 ☞
		6	0.8	0...2	0...4	0...8	043084 ☞	-	085459 ☞	054484 ☞
	G ⅜	6	0.8	0...2	0...4	0...8	-	-	-	145804 ☞
		10	1.5	0...0,4	0...1	0...1,5	054672 ☞	058912 ☞	-	054673 ☞
	G ½	6	0.8	0...2	0...4	0...8	145776 ☞	051894 ☞	054696 ☞	055163 ☞
		8	0.9	0...0,5	0...1,5	0...2,5	058779 ☞	064865 ☞	-	045502 ☞
		10	1.5	0...0,4	0...1	0...1,5	145806 ☞	145792 ☞	-	054983 ☞
		12	1.8	0...0,1	0...0,5	0...1	057676 ☞	241863 ☞	-	145801 ☞

1.) Measurement at 1 bar and +20 °C at the valve inlet and free outlet

2.) Overpressure with respect to atmospheric pressure (the pressure rates for liquids are specified on the type plate)

## Stainless steel body 74 mm

Circuit function	Port connection	Orifice	K <sub>v</sub> value water <sup>1.)</sup>	Pressure range <sup>2.)</sup>			Article no. per voltage/frequency			
				DC	AC		024/DC	024/50	110/50	230/50
				Liquids and gases	Liquids	Gases				
[mm]	[m <sup>3</sup> /h]	[bar]	[bar]	[bar]	[V/Hz]	[V/Hz]	[V/Hz]	[V/Hz]		
<b>A, solenoid valve</b> 2/2 way Direct-acting Normally closed 	<b>Seal material NBR</b>									
	G ¼	3	0.25	0...10	0...22	0...22	313500 ☞	-	-	-
		4	0.5	0...6	0...12	0...16	024477 ☞	079293 ☞	120222 ☞	043678 ☞
		6	0.8	0...2	0...4	0...8	-	087486 ☞	-	-
	G ½	6	0.8	0...2	0...4	0...8	051592 ☞	-	-	049949 ☞
		10	1.5	0...0,4	0...1	0...1,5	049824 ☞	-	-	046026 ☞
		12	1.8	0...0,1	0...0,5	0...1	087647 ☞	-	-	044823 ☞
	<b>Seal material FKM</b>									
	G ¼	4	0.5	0...6	0...12	0...16	145742 ☞	126470 ☞	-	087901 ☞
		6	0.8	0...2	0...4	0...8	050518 ☞	066200 ☞	-	025056 ☞
	G ½	6	0.8	0...2	0...4	0...8	062494 ☞	046313 ☞	-	048700 ☞
		8	0.9	0...0,5	0...1,5	0...2,5	052594 ☞	-	-	048318 ☞
		10	1.5	0...0,4	0...1	0...1,5	063671 ☞	145793 ☞	023942 ☞	048699 ☞
		12	1.8	0...0,1	0...0,5	0...1	179410 ☞	054103 ☞	059267 ☞	145802 ☞

1.) Measurement at 1 bar and +20 °C at the valve inlet and free outlet

2.) Overpressure with respect to atmospheric pressure (the pressure rates for liquids are specified on the type plate)



### 5.4. Ordering chart accessories

#### Mounting set brass body

**Note:**

- Included in delivery are a mounting bracket and 2 cylinder screws M5 x 35.
- Only for brass versions
- 37 mm separation between the M5 threaded holes
- 48 mm separation between the Ø 7 bores
- Valve mounting with mounting set see [“4. Dimensions” on page 5](#)

Description	Article no.
	151287

#### Mounting set stainless steel body

**Note:**

- Included in delivery are a mounting bracket and 2 cylinder screws M4 x 6.
- Only for stainless steel versions
- 29 mm separation between the M4 threaded holes
- 48 mm separation between the Ø 7 bores
- Valve mounting with mounting set see [“4. Dimensions” on page 5](#)


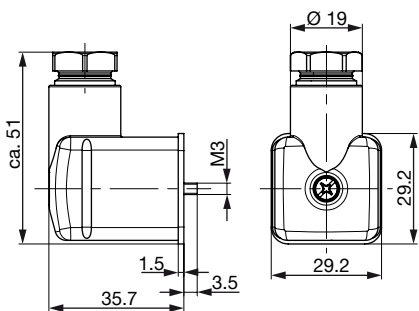
Description	Article no.
	260250

DTS 1000010918 EN Version: G Status: RL (released | freigegeben | validé) printed: 12.07.2023

**Cable plug Type 2518, form A according to DIN EN 175301 - 803**

**Note:**



For further versions see data sheet **Type 2518** ▶.

Cable plug	Dimensions	Version	Voltage	Article no.
		Without circuitry (AC/DC)	0...250 V AC/DC	314802
		With LED (AC/DC)	12...24 V AC/DC	314812
		With LED and varistor (AC/DC)	12...24 V AC/DC	314820
		With rectifier, LED and varistor	12...24 V AC/DC	314816

**Timer Type 1087, form A according to DIN EN 175301 - 803**

**Note:**

For more information on the timer, see data sheet **Type 1087** ▶.

Timer	Approval	Product code	Voltage range	Article no.
	-	1087-A-BCH-UC-28	10...30 V AC/DC	348828
	-	1087-A-BDK-UC-28	24...240 V AC/DC	348829
	cURus	1087-A-BCH-UC-28*PU01	10...30 V AC/DC	348906
	cURus	1087-A-BDK-UC-28*PU01	24...240 V AC/DC	348907
	-	1087-A-BFW-UC-29	10...48 V AC/DC	348830
	-	1087-A-BDX-UC-29	110...240 V AC/DC	348831
	cURus	1087-A-BFW-UC-29*PU01	10...48 V AC/DC	348908
	cURus	1087-A-BDX-UC-29*PU01	110...240 V AC/DC	348909

# Bürkert – Close to You

For up-to-date addresses  
please visit us at  
[www.burkert.com](http://www.burkert.com)

DTS 1000010918 EN Version: G Status: RL (released | freigegeben | validé) printed: 12.07.2023

