

BV25065 ASA 300#

Carbon steel WCB (1.0619)

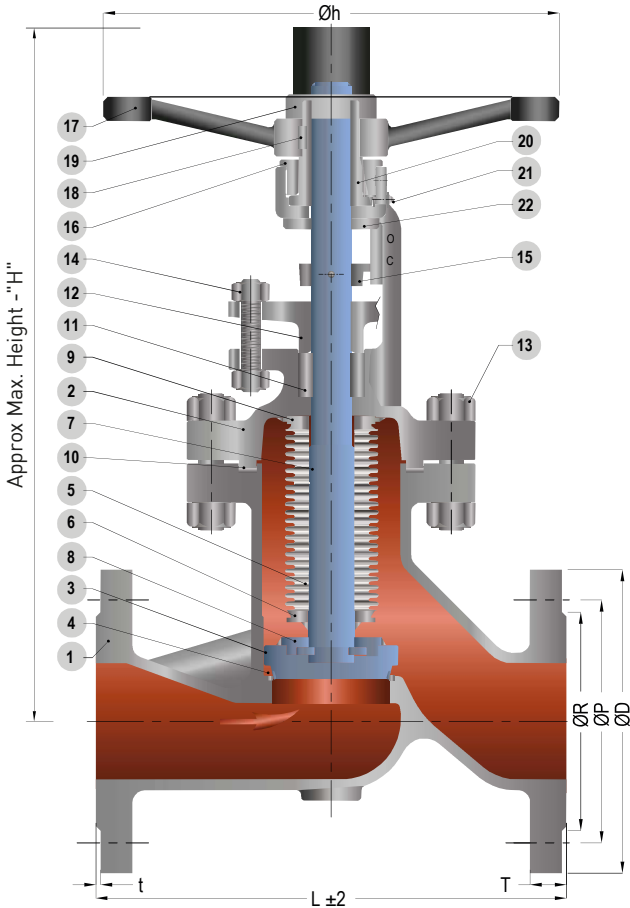
Temperature min. -29°C

Temperature max. +427°C



Testing pressure in bar

Hydro	Body	77
	Seat	57
Air	Seat	07



MATERIALS

Nº	COMPONENT	MATERIALS
1	Body	ASTM - A 216 Gr.WCB (1.0619)
2	Bonnet	ASTM- A 216 Gr.WCB (1.0619)
3	Plug	ASTM- A 216 Gr.WCB + 13% Cr. Overlay
4	Integral Seat	ASTM- A 216 Gr.WCB (1.0619) + 13% Cr. Overlay
5	Bellow	AISI - 321 / Aisi - 316ti
6	Bellow Collar	ASTM- A 276 Type 316
7	Stem	ASTM- A 276 Type 410
8	Stem Nut	ASTM- A 276 Type 410
9	Top Collar	ASTM- A 276 Type 316
10	Gasket	SPW - Ss 304 + Graphite
11	Packing	Graphite
12	Gland Bush/Flange	ASTM-A 216 Gr.WCB
13	Fastener	ASTM-A193 Gr.b7 / A194 Gr.2H
14	Gland Stud & Nut	ASTM-A193 Gr.b7 / A194 Gr.2H
15	Indicator	Carbon Steel
16	Yoke Nut	ASTM-A 276 Type 410
17	Hand Wheel	SG Iron
18	Hand Wheel Key	Carbon Steel
19	Hand Wheel Nut/Cap	Carbon Steel
20	Yoke Sleeve	SG Iron
21	Grease Nipple	Carbon Steel
22	Guide Plate	Carbon Steel

ZERO LEAKAGE: ASME B 16.34
Face to face acc. to ASME B 16.10
TESTING STD.- API 598

DIMENSIONS

NPS	Class Rating	ØD (outer flange diameter)	ØP (Bolt circle)	ØR	T (FGL THK)	t	NO.OF HOLE / Ø	L (Face to face)	Øh	STROKE	H (closed)	Weight (Kg)
½"	300	95	66.7	34.9	12.7	2	4 / Ø16	152	172	5	290	9.2
¾"	300	115	82.6	42.9	14.3	2	4 / Ø19	178	172	5	290	9.8
1"	300	125	88.9	50.8	15.9	2	4 / Ø19	203	172	7	305	12.5
1 ½"	300	155	114.3	73.0	19.1	2	4 / Ø22	229	200	10	335	22
2"	300	165	127.0	92.1	20.7	2	8 / Ø19	267	200	13	355	25
2 ½"	300	190	149.2	104.8	23.9	2	8 / Ø22	292	250	16	440	40
3"	300	210	168.3	127.0	27.0	2	8 / Ø22	318	300	19	450	58
4"	300	255	200.0	157.2	30.2	2	8 / Ø22	356	300	26	545	79
6"	300	320	269.9	215.9	35.0	2	12 / Ø22	444	400	38	690	137
8"	300	380	330.2	269.9	39.7	2	12 / Ø25	559	450	51	810	260
10"	300	445	387.4	323.8	46.1	2	16 / Ø28	622	600	64	950	395

all dimensions in mm.

WORKING CONDITIONS

Temperature °C	-29/38	100	150	250	325	375	400
Pressure Bar	51,7	46,6	45,1	41,9	38,7	36,4	34,7

BV25066 ASA 300#

Stainless Steel CF8M (1.4408)

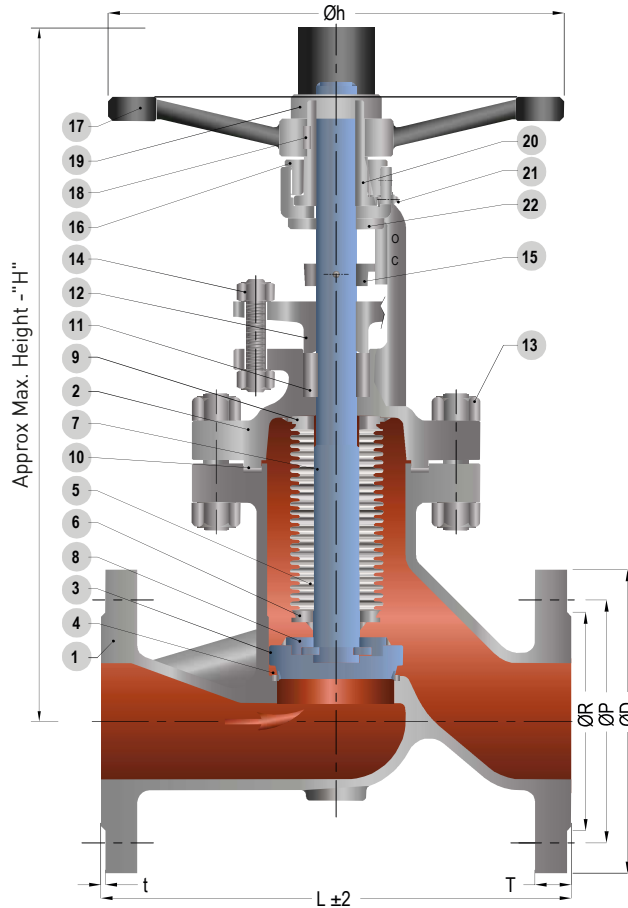
Temperature min. -200°C

Temperature max. +538°C



Testing pressure in bar

Hydro	Body	75
	Seat	55
Air	Seat	07



MATERIALS

N°	COMPONENT	MATERIALS
1	Body	ASTM - A 351 Gr.CF8M (1.4408)
2	Bonnet	ASTM - A 351 Gr.CF8M (1.4408)
3	Plug	ASTM - A 351 Gr.CF8M (1.4408)
4	Integral Seat	ASTM - A 351 Gr.CF8M (1.4408) + Stellite Gr.6
5	Bellow	AISI - 316Ti
6	Bellow Collar	ASTM - A 276 Type 316
7	Stem	ASTM - A 276 Type 316
8	Stem Nut	ASTM - A 276 Type 316
9	Top Collar	ASTM - A 276 Type 316
10	Gasket	SPW - SS 316 + Graphite
11	Packing	Graphite
12	Gland Bush/Flange	ASTM - A 351 Gr.CF8M
13	Fastener	ASTM-A193 Gr.B8M/A194 Gr.8M
14	Gland Stud & Nut	ASTM-A193 Gr.B8M/A194 Gr.8M
15	Indicator	ASTM - A 351 Gr.CF8M
16	Yoke Nut	ASTM - A 276 TYPE 316
17	Hand Wheel	SG Iron / IS 2062 Gr. E 250 A
18	Hand Wheel Key	AISI - 316
19	Hand Wheel Nut/Cap	AISI - 316
20	Yoke Sleeve	SG Iron
21	Grease Nipple	AISI - 316
22	Guide Plate	AISI - 316

ZERO LEAKAGE: ASME B 16.34

Face to face acc. to ASME B 16.10

TESTING STD.- API 598

DIMENSIONS

NPS	Class Rating	ØD (outer flange diameter)	ØP (Bolt circle)	ØR	T (FGL.THK)	t	NO.OF HOLE / Ø	L (Face to face)	Øh	STROKE	H (closed)	Weight (Kg)
½"	300	95	66.7	34.9	12.7	2	4 / Ø16	152	172	5	290	9.2
¾"	300	115	82.6	42.9	14.3	2	4 / Ø19	178	172	5	290	9.8
1"	300	125	88.9	50.8	15.9	2	4 / Ø19	203	172	7	305	12.5
1 ½"	300	155	114.3	73.0	19.1	2	4 / Ø22	229	200	10	335	22
2"	300	165	127.0	92.1	20.7	2	8 / Ø19	267	200	13	355	25
2 ½"	300	190	149.2	104.8	23.9	2	8 / Ø22	292	250	16	440	40
3"	300	210	168.3	127.0	27.0	2	8 / Ø22	318	300	19	450	58
4"	300	255	200.0	157.2	30.2	2	8 / Ø22	356	300	26	545	79
6"	300	320	269.9	215.9	35.0	2	12 / Ø22	444	400	38	690	137
8"	300	380	330.2	269.9	39.7	2	12 / Ø25	559	450	51	810	260
10"	300	445	387.4	323.8	46.1	2	16 / Ø28	622	600	64	950	395

all dimensions in mm.

WORKING CONDITIONS

Temperature °C	-29/38	100	150	250	325	375	400
Pressure Bar	49,6	42,2	38,5	33,4	30,9	29,9	29,4

*CF8M valves can be used from -60 °C