



PRESSURE GAUGE

Ø 100

(MOD. SA 40-100)



Produttore qualificato
M.O.C.A.
Reg. CE n. 1935/2004



The traditional Bourdon spring pressure gauge cannot be used for measuring pressure in the food industry. In fact, the food product entering and depositing in the sensitive element (Bourdon spring) can cause it to become clogged, with consequent hygiene problems due to bacterial contamination. Therefore, to avoid the problems listed above, a device called a separator must be applied to the pressure gauge, which is made up of a suitably shaped separation membrane, in AISI 316 stainless steel. Pressure gauge and separator form a single body. The separator is equipped with a threaded connection according to DN-SMS-IDF-CLAMP standards. It must be remembered that the pressure gauge with SABA separator is amortized as standard, therefore it can work even in case of strong pulsations without causing problems.

TECHNICAL FEATURES:

Measuring ranges: -1 + 3; -1 + 5; -1 + 9; 0 - 2.5; 0- 4; 0- 6; 0-10; 0-16; 0-25; 0-40; 0-60 bar

Dial: white with black writing: Ø dial 100-150 mm

Case: 100 mm with safety glass.

Index: steel with micrometric zero setting device.

Sensitive element: Membrane in AISI 316 laser welded.

Connection: both radial and rear, according to DN - SMS - IDF - CLAMP standards

Amplifier movement: in stainless steel

Filling liquid: non-toxic

Shock absorber: built-in as standard.

Accuracy: 1,6% f.s per Ø 63 e 1% f.s per Ø 100 of the full scale value

Degree of protection: IP 55

Certificates:

Certification of materials

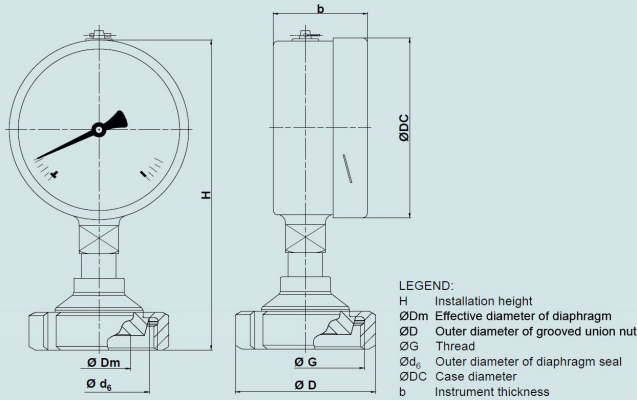
MOCA certification (material objects in contact with food – on request)

Pressure gauge certification: ATEX (on request)

Pressure gauge calibration certificate (list of measured single values; 5 measurement points)

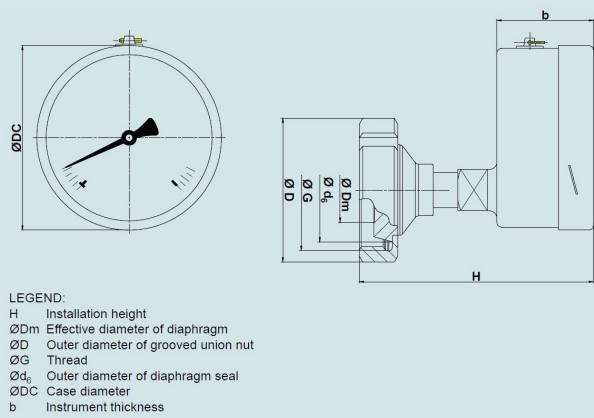


PRESSURE GAUGE 100mm WITH SANITARY DN DIN 11851 MALE-NUT RADIAL CONNECTION



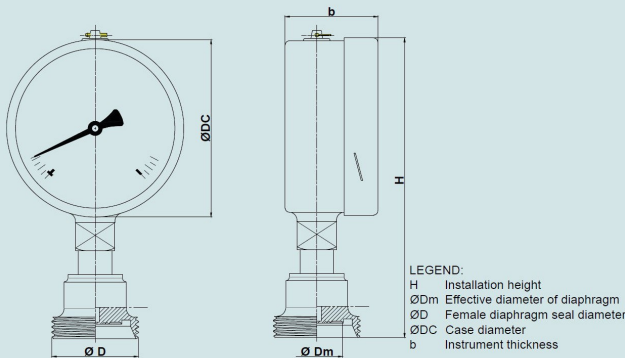
DN	Dimensions in mm						
	ØDC	ØG	H	ØD	Ød ₆	ØDm	b
25	100	RD 52 x 1/6	155	63	45	26	50
32	100	RD 58 x 1/6	155	70	49.5	35	50
40	100	RD 65 x 1/6	155	78	55	40	50
50	100	RD 78 x 1/6	155	92	67.5	40	50

PRESSURE GAUGE 100mm WITH SANITARY DN DIN 11851 MALE-NUT BACK CONNECTION



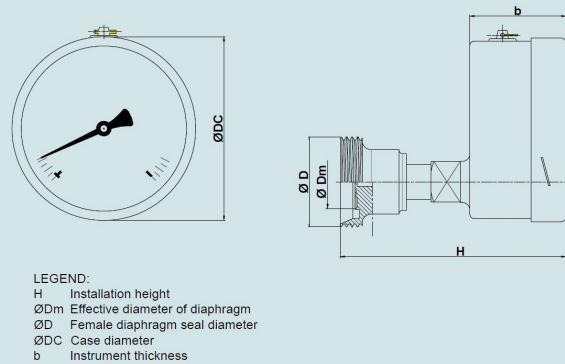
DN	Dimensions in mm						
	ØDC	ØG	H	ØD	Ød ₆	ØDm	b
25	100	RD 52 x 1/6	155	63	45	26	50
32	100	RD 58 x 1/6	155	70	49.5	35	50
40	100	RD 65 x 1/6	155	78	55	40	50
50	100	RD 78 x 1/6	155	92	67.5	40	50

PRESSURE GAUGE 100mm WITH SANITARY DN DIN 11851 FEMALE RADIAL CONNECTION



DN	Dimensions in mm				
	ØDC	H	ØD	ØDm	b
25	100	164	RD 52 x 1/6	26	50
40	100	166	RD 65 x 1/6	35	50
50	100	168	RD 78 x 1/6	40	50

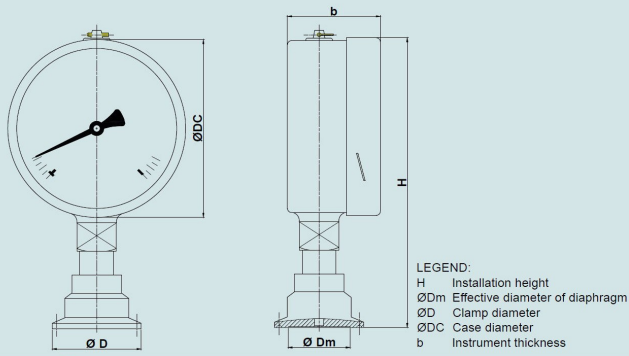
PRESSURE GAUGE 100mm WITH SANITARY DN DIN 11851 FEMALE BACK CONNECTION



DN	Dimensions in mm				
	ØDC	H	ØD	ØDm	b
25	100	164	RD 52 x 1/6	26	50
40	100	166	RD 65 x 1/6	35	50
50	100	168	RD 78 x 1/6	40	50

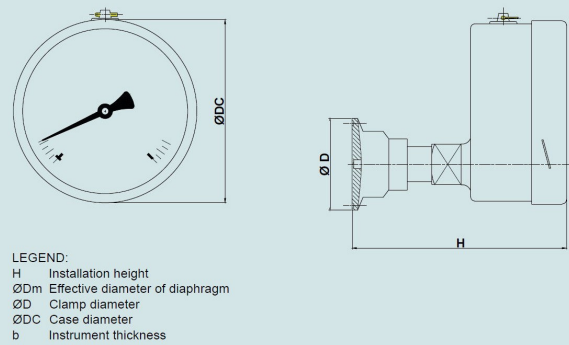


PRESSURE GAUGE 100mm WITH SANITARY CLAMP RADIAL CONNECTION



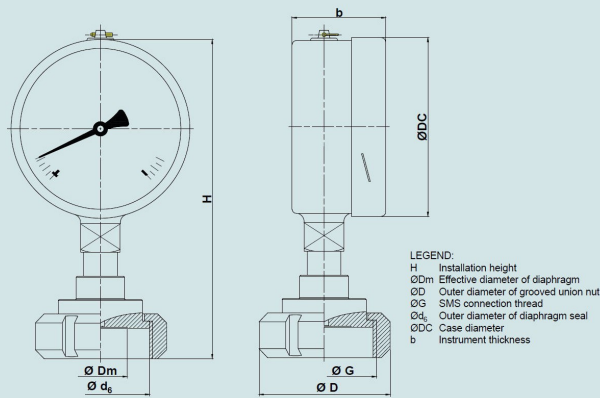
DN	Dimensions in mm				
	ØDC	H	ØD	ØDm	b
1" 1/2"	100	115	50	35	50
2"	100	118	64	40	50

PRESSURE GAUGE 100mm WITH SANITARY CLAMP BACK CONNECTION



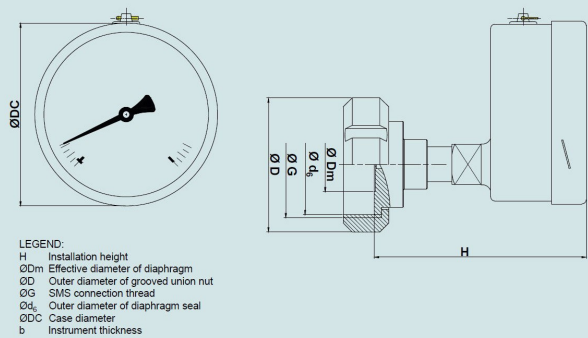
DN	Dimensions in mm				
	ØDC	H	ØD	ØDm	b
1" 1/2"	100	115	50	35	50
2"	100	118	64	40	50

PRESSURE GAUGE 100mm WITH SANITARY SMS MALE-NUT RADIAL CONNECTION



DN	Dimensions in mm						
	ØDC	ØG	H	ØD	Ød ₂	ØDm	b
1" 1/2" (38)	100	RD 60 x 1/6	120	74	55	35	50
2" (51)	100	RD 70 x 1/6	122	84	65	40	50

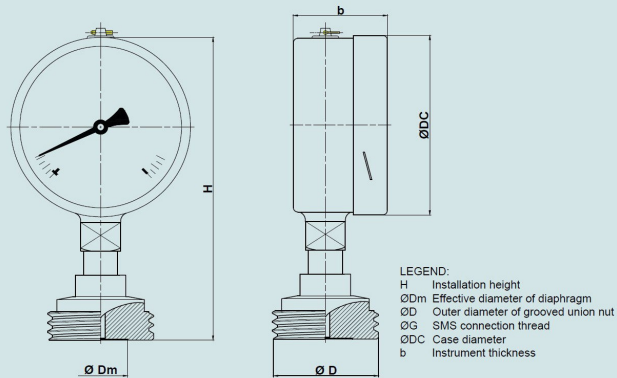
PRESSURE GAUGE 100mm WITH SANITARY SMS MALE-NUT BACK CONNECTION



DN	Dimensions in mm						
	ØDC	ØG	H	ØD	Ød ₂	ØDm	b
1" 1/2" (38)	100	RD 60 x 1/6	120	74	55	35	50
2" (51)	100	RD 70 x 1/6	122	84	65	40	50

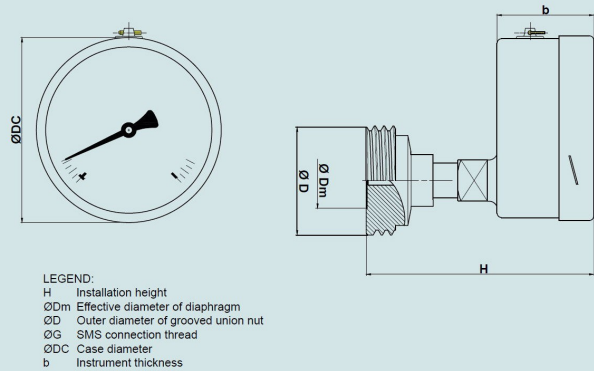


PRESSURE GAUGE 100mm WITH SANITARY SMS FEMALE RADIAL CONNECTION



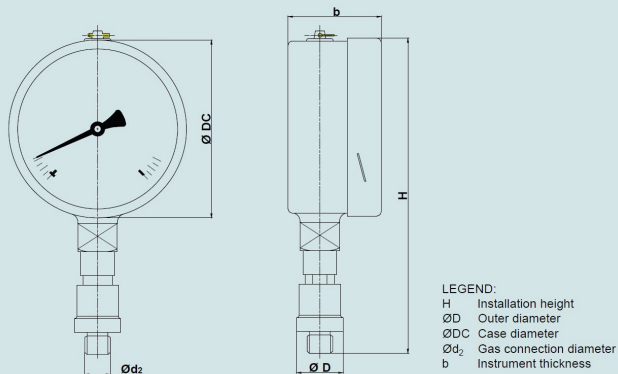
DN	Dimensioni in mm [in]				
	ØDC	H	ØD	ØDm	b
1" 1/2" (38)	100	120	RD 60 x 1/6	35	50
2" (51)	100	122	RD 70 x 1/6	45	50

PRESSURE GAUGE 100mm WITH SANITARY SMS FEMALE BACK CONNECTION



DN	Dimensioni in mm [in]				
	ØDC	H	ØD	ØDm	b
1" 1/2" (38)	100	120	RD 60 x 1/6	35	50
2" (51)	100	122	RD 70 x 1/6	45	50

PRESSURE GAUGE 100mm WITH SANITARY CONNECTION GAS



DN	Dimensioni in mm				
	ØDC	H	ØD	Ø d ₂	b
100	100	172	40	1/2"	50



Order Informations:

Scale field / Process connection / Parts / Certificates