

TLV®

SIGHT GLASS

MODEL T8N/T10N CAST IRON

COMPACT SIGHT GLASS WITH FLOW INDICATING BALL

Features

Lightweight sight glass for installation at the outlet side of steam traps to monitor trap performance and to check for steam leakage. Also recommended for checking the line flow of air and water. Suitable for small-to-large flow rates.

1. Clear sighting through self-polishing, heat-resistant glass.
2. Ball movement indicates the flow status.
3. Model T(F)10N is designed for large flow rates due to through-hole in the partition between inlet and outlet.
4. Compact design saves space.
5. Inline repairable.

Pressure Equipment Directive (PED)

Classification according to PED 2014/68/EU, fluid group 2

Size	Category	CE marking
DN 15 to DN 50	—*	Art. 4, Sec. 3 (sound engineering practice), CE marking not allowed

* Manufactured in accordance with sound engineering practice



Specifications

Model	T8N/T10N	TF8N/TF10N
Connection	Screwed	Flanged
Size (DN)	½", ¾", 1", 1½", 2"	DN 15, 20, 25, 40, 50
Maximum Operating Pressure (barg) PMO	13	
Maximum Operating Temperature (°C) TMO	200*	
Applicable Fluids**	Steam, Water, Air	

* Contact TLV for optional models T8NL/TF8NL/T10NL/TF10NL up to 150 °C.

1 bar = 0.1 MPa

** Do not use for toxic, flammable or otherwise hazardous fluids.

PRESSURE SHELL DESIGN CONDITIONS (**NOT** OPERATING CONDITIONS): Maximum Allowable Pressure (barg) PMA: 13
Maximum Allowable Temperature (°C) TMA: 200



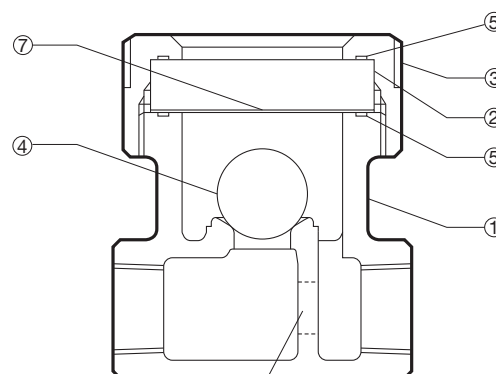
To avoid abnormal operation, accidents or serious injury, DO NOT use this product outside of the specification range. Local regulations may restrict the use of this product to below the conditions quoted.

No.	Description	Material	DIN*	ASTM/AISI*
①	Body	Cast Iron FC250	0.6025	A126 Cl.B
② ^R	Sight Glass	Heat-resistant Tempered Glass	—	—
③	Glass Holder	Cast Iron FC250	0.6025	A126 Cl.B
④ ^R	Ball	Fluorine Resin PTFE	PTFE	PTFE
⑤ ^R	Gasket	Fluorine Resin PTFE	PTFE	PTFE
⑥	Nameplate**	Stainless Steel SUS304	1.4301	AISI304
⑦ ^R	Guard Plate	Mica	—	—

* Equivalent Materials ** Shown overleaf
Replacement kits available: (R) repair parts



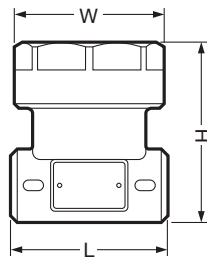
The heat-resistant tempered glass must be replaced every year.



Through-hole
(T(F)10N only)

Dimensions

● **T8N/T10N**
Screwed

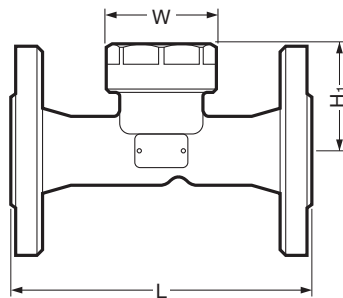


T8N/T10N Screwed* (mm)

Size	L	H	φW	Through-hole dia.**	Weight (kg)
15	68	79	65	10	0.9
20	75	87		15	1.0
25	79	94		18	1.2
40	120	113		25	2.1
50	126	127		30	2.7

* BSP DIN 2999, other standards available ** T10N only

● **TF8N/TF10N**
Flanged



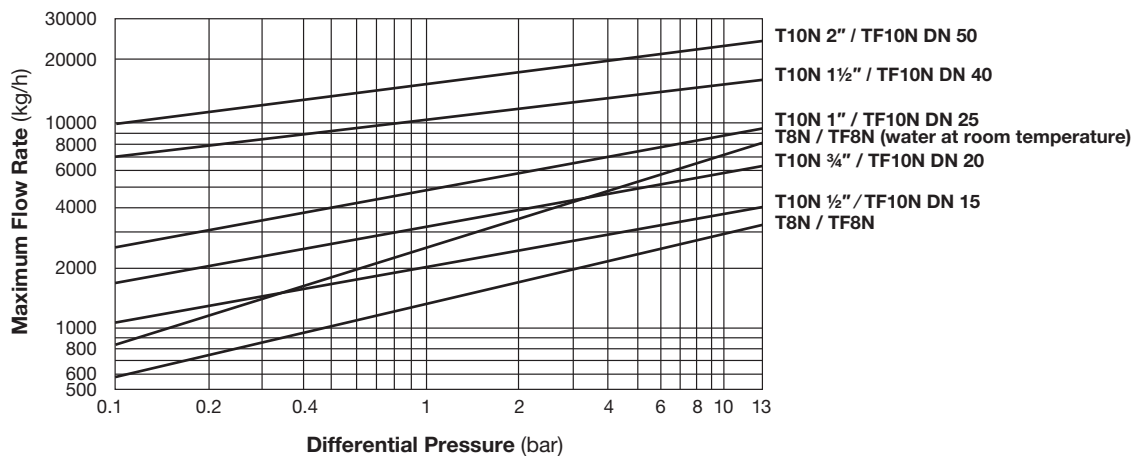
TF8N/TF10N Flanged (mm)

DN	L		H	φW	Through-hole Diameter*	Weight (kg)
	DIN 2501	PN16				
15	175		71	65	10	2.9
20	180		75		15	3.5
25			79		18	4.8
40	200		89		25	6.7
50			96		30	8.0

Face to face dimensions not according to DIN standard.
Other standards available, but length and weight may vary
* TF10N only

CAUTION Install a check valve on the outlet side if there is the danger of downstream water hammer!

Capacities



1. Capacities are based on continuous discharge of condensate 6 °C below saturated steam temperature (or continuous discharge of water at room temperature if so stated).
2. Differential pressure is the difference between the inlet and outlet pressure of the sight glass.

Manufacturer
TLV CO., LTD.
 Kakogawa, Japan
 is approved by LRQA Ltd. to ISO 9001/14001

