




2/2 or 3/2-way Whisper Valve with media separation

- Very fast switching at a low noise level < 45 dB(A)
- High pressure range up to 16 bar with nominal diameter DN 1.4 mm
- Highest chemical resistance
- Compact design with 18 mm installation width
- High back pressure tightness



Product variants described in the data sheet may differ from the product presentation and description.

Can be combined with

 **Type 2505** ▶
10 mm socket for Bürkert small solenoid valves

Type description

The combination of maximum flow and minimum valve size is becoming increasingly important in various medical and IVD related applications. Combined with high chemical resistance, this explains the broad range of applications for Type 6757. However, in addition to the flow, this valve is also able to switch pressures of up to 16 bar. This is a highlight of particular relevance for applications in the area of environmental analysis. The devices from the areas mentioned, including the valves, need to be flushed, cleaned, disinfected and sometimes even sterilised. Therefore, they need to withstand flushing cycles with high temperatures and/or high pressure, which is precisely what the Type 6757 was designed for. The product is thus ideally suitable for applications such as endoscope cleaning or dialysis, but also for use in environmental analysers. Fast switching times, as implemented here, guarantee high process safety because reliable switching behaviour is an important aspect for accurate dosing and reproducible processes.

Table of contents

1. General technical data	3
1.1. General data.....	3
1.2. Medium pressure	4
1.3. Flow characteristics	4
K _v value water	4
C _v value water	5
Q _{Nn} value air	5
2. Product versions	6
3. Circuit functions	6
4. Approvals and conformities	6
4.1. General notes.....	6
4.2. Conformity	6
4.3. Standards.....	6
4.4. Drinking water	7
4.5. Foods and beverages/Hygiene	7
5. Materials	7
5.1. Bürkert resistApp	7
5.2. Material specifications	7
6. Dimensions	8
6.1. Flange version.....	8
6.2. Width per station.....	9
6.3. Flange pattern	10
6.4. Threaded version	11
7. Ordering information	12
7.1. Bürkert eShop.....	12
7.2. Bürkert product filter.....	12
7.3. Ordering chart	12
7.4. Ordering chart accessories.....	13
Rectangular cable plug Type 2505	13

1. General technical data

1.1. General data

Product properties	
Dimensions	Further information can be found in chapter "6. Dimensions" on page 8.
Material	
Seal	FFKM, EPDM, (FKM on request)
Fluidic housing	PEEK, PPS
Internal volume	Flange version WW A DN 1.4: 550 µl Informations about further versions are available on request.
Orifice	DN 1.4...DN 4.0
Typical product service life	10 million switching cycles (according to laboratory endurance test) ¹⁾
Performance data	
Pressure range	Further information can be found in chapter "1.2. Medium pressure" on page 4.
Duty cycle ²⁾	
Single assembly	100 % continuous operation
Block assembly	70 % continuous operation (max. 10 min. duty cycle) Refer to Type 6757 ▶ operating instructions for more information.
Switching noise	45 dB (A) ³⁾
Switching time	Opening: ca. 7 ms (Pressure build-up 0...10 %) Closing: ca. 7 ms (Pressure reduction 100...90 %) (Measurement at the valve outlet at 20 °C according to DIN ISO 12238:2001)
Electrical data	
Operating voltage	24 V DC (12 V on request)
Nominal power	4.5 W ⁴⁾
Voltage tolerance	± 5 % (including residual ripple)
Medium data	
Medium temperature	FFKM: + 15...+ 50 °C FKM: 0...+ 50 °C EPDM: 0...+ 50 °C 90 °C permissible for cleaning cycles (max. 30 minutes) ²⁾
Viscosity	Max. 21 mm ² /s
Process/Port connection & communication	
Electrical connection	Rectangular plug Type 2505 ▶ Further information can be found in chapter "Rectangular cable plug Type 2505" on page 13.
Port connection	Bürkert flange (18 x 69 mm) G 1/8 G 1/4
Approvals and conformities	
Degree of protection	IP30 according to EN 60529
Drinking water	Further information can be found in chapter "4.4. Drinking water" on page 7.
Foods and beverages/Hygiene	Further information can be found in chapter "4.5. Foods and beverages/Hygiene" on page 7.
Environment and installation	
Installation position	As required, preferably with actuator upright
Ambient temperature	FFKM: + 15...+ 50 °C FKM: 0...+ 50 °C EPDM: 0...+ 50 °C

1.) The service life depends on the medium, temperature, pressure, sealing material and individual operating conditions.

2.) The maximum body temperature must not exceed + 110 °C. In continuous operation, care must be taken to ensure sufficient heat dissipation (convection) on the metal surface of the valve. Overheating of the valve can lead to damage. The valve must not be cycled during the flushing cycles.

3.) Measured in sound measurement chamber according to ISO3745 accuracy class 1. The value may differ under other conditions.

4.) No further power reduction possible

1.2. Medium pressure

Circuit function	Orifice	Pressure range at the connection			Max. differential pressure ^{1.)}	Flow direction
		BLIND	COM	NC		
	[mm]	[bar]	[bar]	[bar]	[bar]	
A	1.4	–	Vac...16		16	NC → COM
	2	–	Vac...10		10	
	3	–	Vac...6		6	
	4	–	Vac...3		3	

Circuit function	Orifice	Pressure range at the connection			Max. differential pressure ^{1.)}	Flow direction
		NO	COM	Blind		
	[mm]	[bar]	[bar]	[bar]	[bar]	
B	1.4	Vac...16		–	16	NO → COM
	2	Vac...10		–	10	
	3	Vac...6		–	6	
	4	Vac...3		–	3	

Circuit function	Orifice	Pressure range at the connection			Max. differential pressure ^{1.)}	Flow direction
		NO	COM	NC		
	[mm]	[bar]	[bar]	[bar]	[bar]	
T	1.4	Vac...10			10	All flow directions allowed
	2	Vac...6			6	
	3	Vac...3			3	
	4	Vac...1.5			1.5	

1.) For vacuum operation, observe the permissible differential pressure and flow direction.

1.3. Flow characteristics

K_v value water

Circuit function	Port connection	DN	K _v value water ^{1.)}			
			NC → COM	NO → COM	COM → NC	COM → NO
			[m³/h]	[m³/h]	[m³/h]	[m³/h]
A	Flange, G 1/8	1.4	0.055	–	–	–
	Flange, G 1/8	2	0.080	–	–	–
	Flange, G 1/4	3	0.200	–	–	–
	Flange	4	0.370	–	–	–
	G 1/4	4	0.330	–	–	–
B	Flange, G 1/8	1.4	–	0.055	–	–
	Flange, G 1/8	2	–	0.080	–	–
	Flange, G 1/4	3	–	0.200	–	–
	Flange	4	–	0.360	–	–
	G 1/4	4	–	0.330	–	–
T	Flange, G 1/8	1.4	0.055	0.055	0.060	0.060
	Flange, G 1/8	2	0.080	0.080	0.080	0.080
	Flange, G 1/4	3	0.200	0.200	0.240	0.240
	Flange	4	0.360	0.360	0.425	0.425
	G 1/4	4	0.330	0.330	0.380	0.380

1.) Measurement at +20 °C, 1 bar at the valve inlet and free outlet

DTS 1000551791 EN Version: B Status: RL (released | freigegeben | validé) printed: 26.10.2023

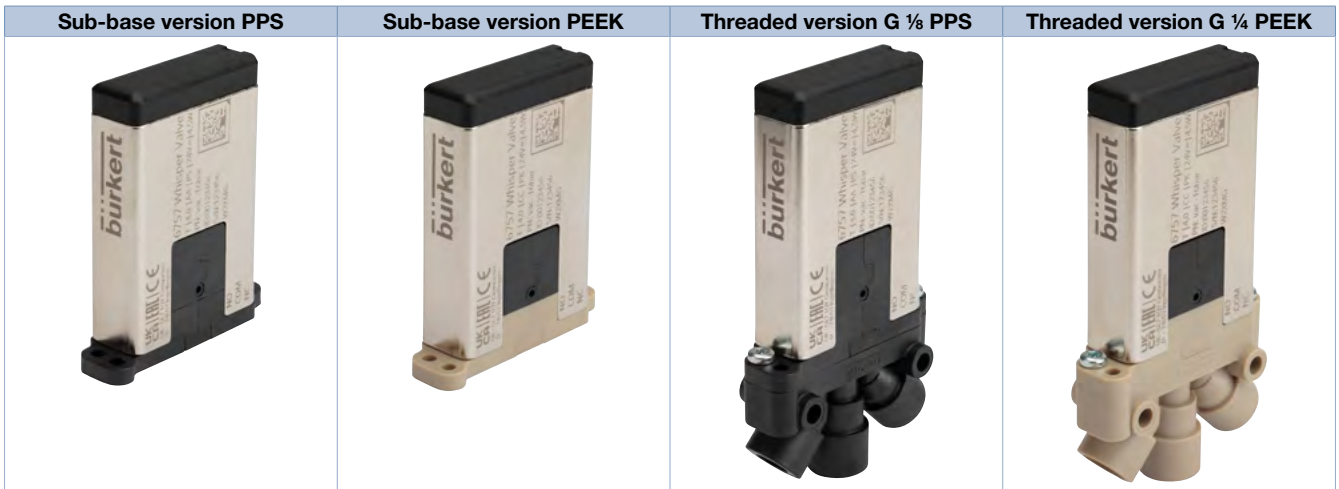
C_v value water

Circuit function	Port connection	DN	C _v value water			
			NC → COM	NO → COM	COM → NC	COM → NO
			[m ³ /h]	[m ³ /h]	[m ³ /h]	[m ³ /h]
A	Flange, G 1/8	1.4	0.064	–	–	–
	Flange, G 1/8	2	0.092	–	–	–
	Flange, G 1/4	3	0.231	–	–	–
	Flange	4	0.428	–	–	–
	G 1/4	4	0.382	–	–	–
B	Flange, G 1/8	1.4	–	0.064	–	–
	Flange, G 1/8	2	–	0.092	–	–
	Flange, G 1/4	3	–	0.231	–	–
	Flange	4	–	0.416	–	–
	G 1/4	4	–	0.382	–	–
T	Flange, G 1/8	1.4	0.064	0.064	0.069	0.069
	Flange, G 1/8	2	0.092	0.092	0.092	0.092
	Flange, G 1/4	3	0.231	0.231	0.277	0.277
	Flange	4	0.416	0.416	0.491	0.491
	G 1/4	4	0.382	0.382	0.439	0.439

Q_{Nn} value air

Circuit function	Port connection	DN	Q _{Nn} value air			
			NC → COM	NO → COM	COM → NC	COM → NO
			[m ³ /h]	[m ³ /h]	[m ³ /h]	[m ³ /h]
A	Flange, G 1/8	1.4	60	–	–	–
	Flange, G 1/8	2	86	–	–	–
	Flange, G 1/4	3	215	–	–	–
	Flange	4	400	–	–	–
	G 1/4	4	355	–	–	–
B	Flange, G 1/8	1.4	–	60	–	–
	Flange, G 1/8	2	–	86	–	–
	Flange, G 1/4	3	–	215	–	–
	Flange	4	–	390	–	–
	G 1/4	4	–	355	–	–
T	Flange, G 1/8	1.4	60	60	65	65
	Flange, G 1/8	2	86	86	86	86
	Flange, G 1/4	3	215	215	260	260
	Flange	4	390	390	440	440
	G 1/4	4	355	355	405	405

2. Product versions



3. Circuit functions

Symbol	Description
	Circuit function A (CF A) 2/2-way solenoid valve Direct-acting Normally closed
	Circuit function B (CF B) 2/2-way solenoid valve Direct-acting Normally open
	Circuit function T (CF T) 3/2-way solenoid valve Direct-acting Flow direction optional Universal

4. Approvals and conformities

4.1. General notes

- The approvals and conformities listed below must be stated when making enquiries. This is the only way to ensure that the product complies with all required specifications.
- Not all available versions can be supplied with the below mentioned approvals or conformities.

4.2. Conformity

In accordance with the Declaration of Conformity, the product is compliant with the EU Directives.

4.3. Standards

The applied standards which are used to demonstrate compliance with the EU Directives are listed in the EU-Type Examination Certificate and/or the EU Declaration of Conformity.

4.4. Drinking water

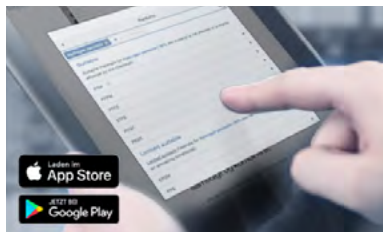
Conformity	Description
H ₂ O	Optional: Certification according to 1+ system of UBA (valid for variable code PF23) The materials comply with the assessment principles (UBA) for materials in contact with drinking water (TrinkwasserV).

4.5. Foods and beverages/Hygiene

Conformity	Description
FDA	FDA – Code of Federal Regulations (valid for the variable code PL02, PL03) All wetted materials are compliant with the Code of Federal Regulations published by the FDA (Food and Drug Administration, USA) according to the manufacturer's declaration.

5. Materials

5.1. Bürkert resistApp

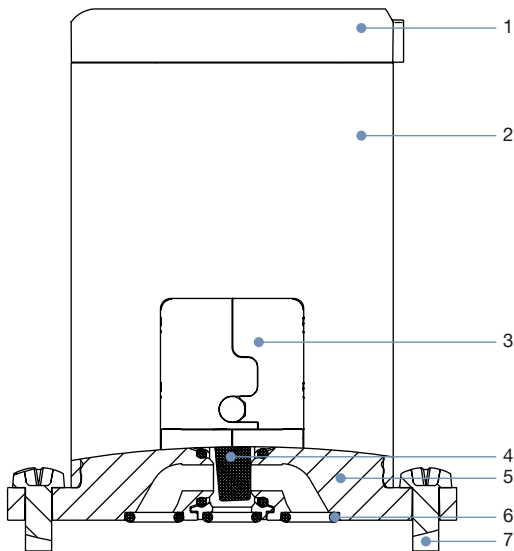


Bürkert resistApp – Chemical resistance chart

You want to ensure the reliability and durability of the materials in your individual application case? Verify your combination of media and materials on our website or in our resistApp.

[Start chemical resistance check](#)

5.2. Material specifications



No.	Element	Material
1	Cover	PA
2	Coil housing	Nickel-plated
3	Valve housing	PPS
4	Diaphragm ^{1.)}	FFKM, EPDM, (FKM on request)
5	Fluid housing ^{1.)}	PEEK, PPS
6	Flange seal ^{1.)}	FFKM, EPDM, (FKM on request)
7	Oval head screw	Stainless steel

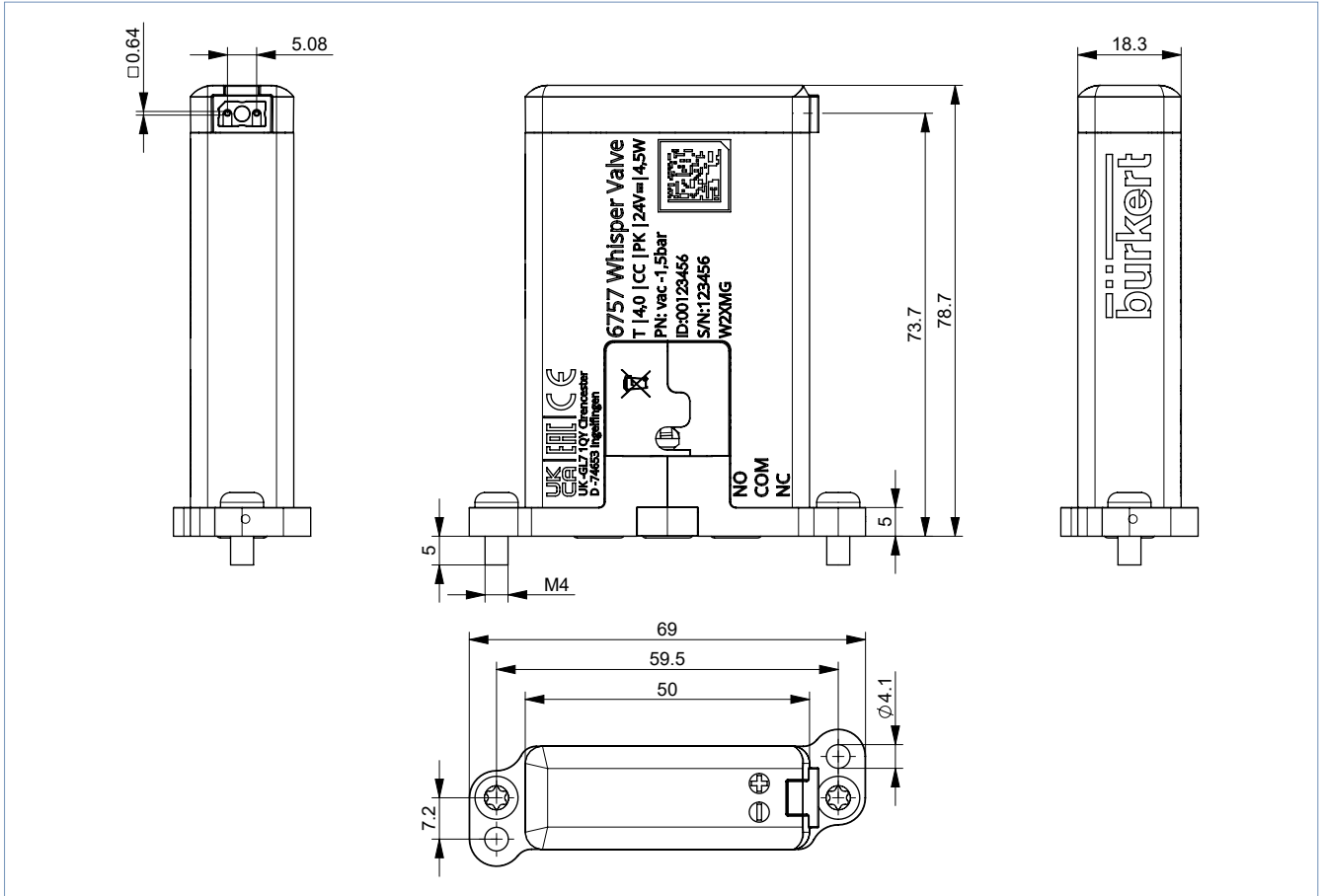
1.) in contact with medium

6. Dimensions

6.1. Flange version

Note:

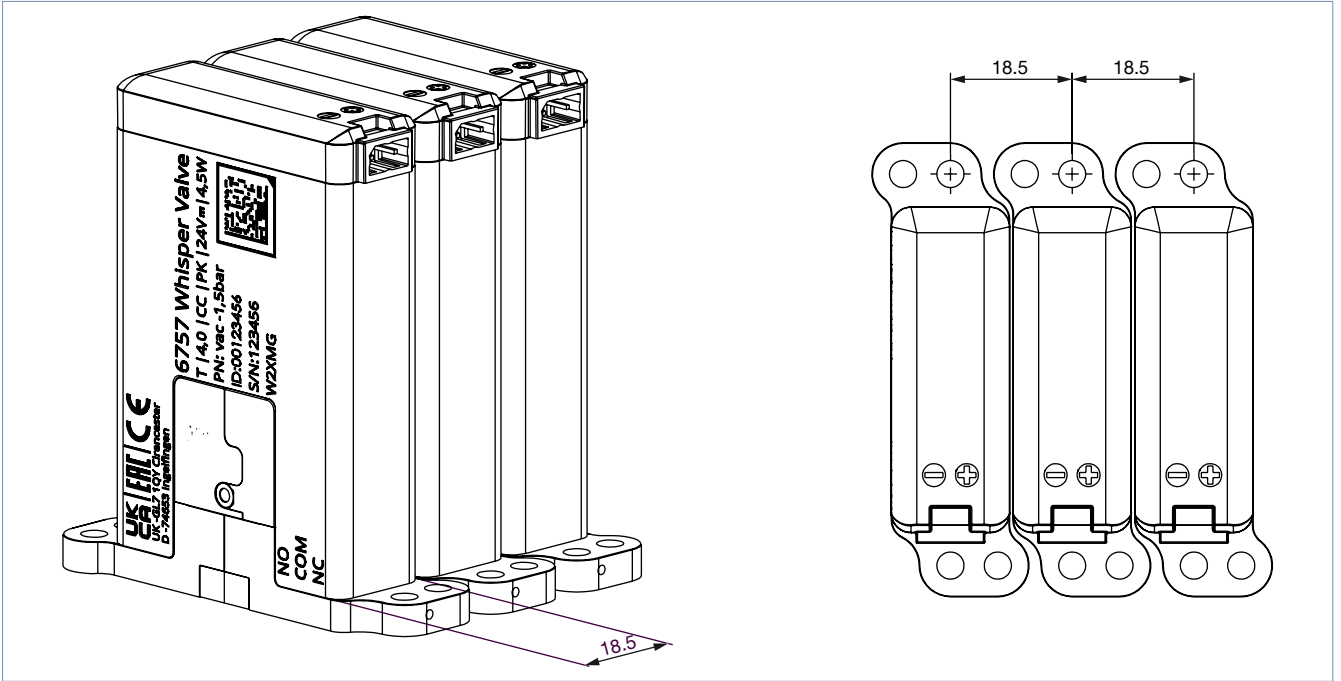
Dimensions in mm



6.2. Width per station

Note:

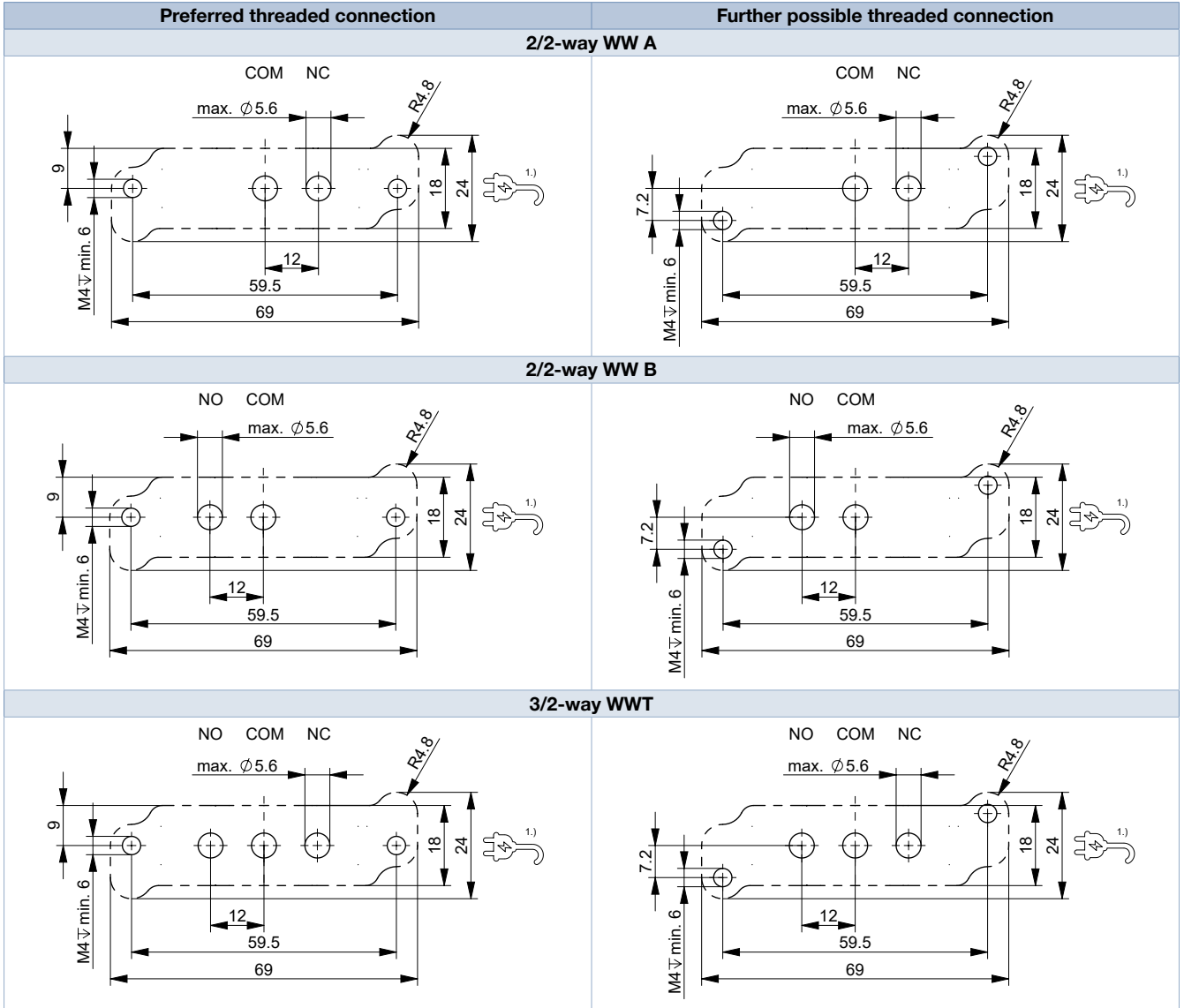
Dimensions in mm



6.3. Flange pattern

Note:

- Dimensions in mm
- Note the position of the electrical connection

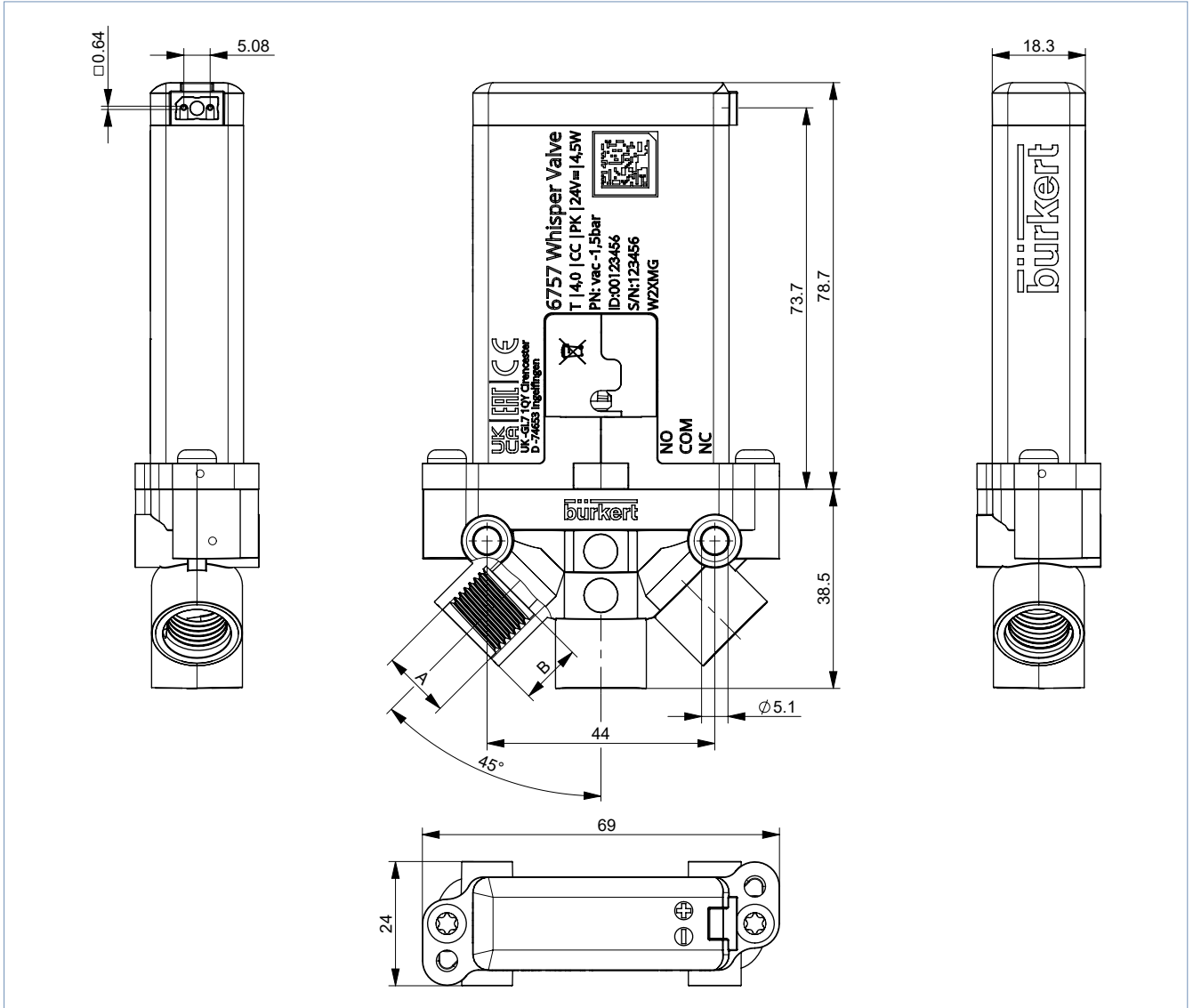


1.) Electrical connection

6.4. Threaded version

Note:


- Dimensions in mm
- G ¼ and G ½



Port connection	A	B
Threaded connection	G ¼	9
	G ½	7

7. Ordering information

7.1. Bürkert eShop

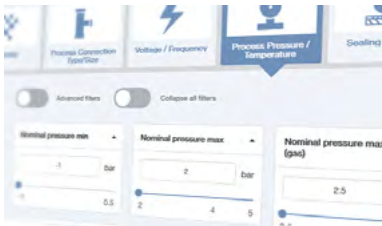


Bürkert eShop – Easy ordering and quick delivery

You want to find your desired Bürkert product or spare part quickly and order directly? Our online shop is available for you 24/7. Sign up and enjoy all the benefits.

[Order online now](#)

7.2. Bürkert product filter



Bürkert product filter – Get quickly to the right product

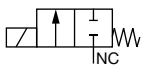
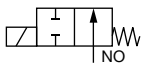
You want to select products comfortably based on your technical requirements? Use the Bürkert product filter and find suitable articles for your application quickly and easily.

[Try out our product filter](#)

7.3. Ordering chart

Note:

- Other versions are available on request.
- 2x M4 x 10 fixing screws for sub-base versions are included in the delivery.
- Connectors for rectangular plug are not included in the scope of delivery and must be ordered separately, see [“7.4. Ordering chart accessories” on page 13.](#)

Circuit function	Port connection	Orifice	Voltage/ Frequency	Pressure range	Max. pressure difference	Body material	Seal material	Article no.
		[mm]	[V/Hz]	[bar] ¹⁾²⁾	[bar]			
CF A 2/2-way solenoid valve Direct-acting Normally closed 	Flange	1.4	024/DC	Vac...16	16	PEEK	FFKM	324226
	Flange	1.4		Vac...16	16	PPS	EPDM	20049070
	Flange	2		Vac...10	10	PEEK	FFKM	20046836
	Flange	3		Vac...6	6	PEEK	FFKM	20046840
	Flange	4		Vac...3	3	PEEK	FFKM	324233
	Flange	4		Vac...3	3	PPS	EPDM	20049077
	G 1/8	1.4		Vac...16	16	PEEK	FFKM	338875
	G 1/8	1.4		Vac...16	16	PPS	EPDM	20049078
	G 1/4	4.0		Vac...3	3	PEEK	FFKM	20042773
G 1/4	4.0	Vac...3	3	PPS	EPDM	20049085		
CF B 2/2-way solenoid valve Direct-acting Normally open 	Flange	1.4	024/DC	Vac...16	16	PEEK	FFKM	324231
	Flange	1.4		Vac...16	16	PPS	EPDM	20071609
	Flange	4		Vac...3	3	PEEK	FFKM	324234
	Flange	4		Vac...3	3	PPS	EPDM	20071612

DTS 1000551791 EN Version: B Status: RL (released | freigegeben | valide) printed: 26.10.2023

Circuit function	Port connection	Orifice	Voltage/ Frequency	Pressure range	Max. pressure difference	Body material	Seal material	Article no.
		[mm]	[V/Hz]	[bar] ^{1.)2.)}	[bar]			
CF T 3/2-way solenoid valve Direct-acting Flow direction optional Universal 	Flange	1.4	024/DC	Vac...10	10	PEEK	FFKM	324232
	Flange	1.4		Vac...10	10	PPS	EPDM	20049071
	Flange	2		Vac...6	6	PEEK	FFKM	20046838
	Flange	3		Vac...3	3	PEEK	FFKM	20046843
	Flange	4		Vac...1.5	1.5	PEEK	FFKM	324235
	Flange	4		Vac...1.5	1.5	PPS	EPDM	20005572
	G 1/8	1.4		Vac...1.5	1.5	PEEK	FFKM	338877
	G 1/8	1.4		Vac...1.5	1.5	PPS	EPDM	20049079
	G 1/4	4.0		Vac...1.5	1.5	PEEK	FFKM	366049
	G 1/4	4.0		Vac...1.5	1.5	PPS	EPDM	20049086

1.) Pressure data: overpressure to atmospheric pressure

2.) The water hammer with incompressible media must not exceed the max. permissible differential pressure.

7.4. Ordering chart accessories

Rectangular cable plug Type 2505

Note:

For further versions see data sheet **Type 2505**

Accessories	Description	Article no.
	Rectangular cable plug Type 2505 with 3 m cable	252572
	Rectangular cable plug Type 2505 with 5 m cable	255194
	Rectangular cable plug Type 2505 with 300 mm flying leads	644068
	Rectangular cable plug Type 2505 with 600 mm flying leads	162144