

BV25065 ASA 150#

Carbon steel WCB (1.0619)

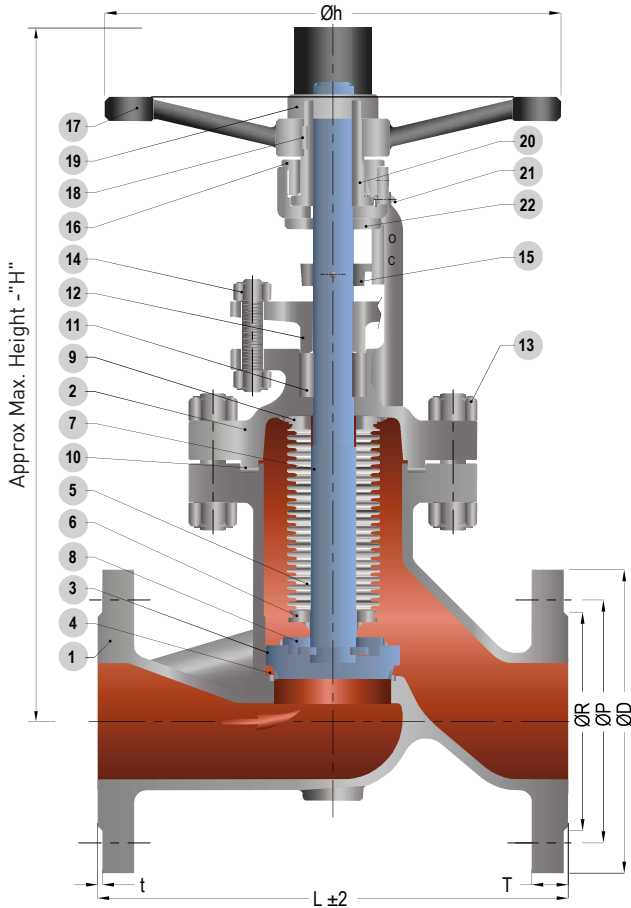
Temperature min. -29°C

Temperature max.+427°C



Testing pressure in bar

Hydro	Body	30
	Seat	22
Air	Seat	07



MATERIALS

N°	COMPONENT	MATERIALS
1	Body	ASTM - A 216 Gr.WCB (1.0619)
2	Bonnet	ASTM- A 216 Gr.WCB (1.0619)
3	Plug	ASTM- A 216 Gr.WCB + 13% Cr. Overlay
4	Integral Seat	ASTM- A 216 Gr.WCB (1.0619) + 13% Cr. Overlay
5	Bellow	AISI - 321 / Aisi - 316ti
6	Bellow Collar	ASTM- A 276 Type 316
7	Stem	ASTM- A 276 Type 410
8	Stem Nut	ASTM- A 276 Type 410
9	Top Collar	ASTM- A 276 Type 316
10	Gasket	SPW - Ss 304 + Graphite
11	Packing	Graphite
12	Gland Bush/Flange	ASTM-A 216 Gr.WCB
13	Fastener	ASTM-A193 Gr.b7 / A194 Gr.2H
14	Gland Stud & Nut	ASTM-A193 Gr.b7 / A194 Gr.2H
15	Indicator	Carbon Steel
16	Yoke Nut	ASTM-A 276 Type 410
17	Hand Wheel	SG Iron
18	Hand Wheel Key	Carbon Steel
19	Hand Wheel Nut/Cap	Carbon Steel
20	Yoke Sleeve	SG Iron
21	Grease Nipple	Carbon Steel
22	Guide Plate	Carbon Steel

ZERO LEAKAGE: ASME B 16.34
Face to face acc. to ASME B 16.10
TESTING STD.- API 598

DIMENSIONS

NPS	Class Rating	ØD (outer flange diameter)	ØP (Bolt circle)	ØR	T (FGL.THK)	t	NO.OF HOLE / Ø	L (Face to face)	Øh	STROKE	H (closed)	Weight (Kg)
½"	150	90	60.3	34.9	9.6	2	4 / Ø16	108	172	5	277	7.0
¾"	150	100	69.9	42.9	11.2	2	4 / Ø16	117	172	5	280	8.5
1"	150	110	79.4	50.8	12.7	2	4 / Ø16	127	172	7	290	9.4
1 ½"	150	125	98.4	73.0	15.9	2	4 / Ø16	165	200	10	327	17
2"	150	150	120.7	92.1	17.5	2	4 / Ø19	203	200	13	355	19
2 ½"	150	180	139.7	104.8	20.7	2	4 / Ø19	216	250	16	430	33
3"	150	190	152.4	127.0	22.3	2	4 / Ø19	241	300	19	430	39.5
4"	150	230	190.5	157.2	22.3	2	8 / Ø19	292	300	26	516	56
6"	150	280	241.3	215.9	23.9	2	8 / Ø22	406	400	38	655	105
8"	150	345	298.5	269.9	27.0	2	8 / Ø22	495	450	51	785	180
10"	150	405	362.0	323.8	28.6	2	12 / Ø25	622	600	64	945	310

all dimensions in mm.

WORKING CONDITIONS

Temperature °C	-29/38	100	150	250	325	375	400
Pressure Bar	19,6	17,7	15,8	12,1	9,3	7,4	6,5

BV25066 ASA 150#

Stainless Steel CF8M (1.4408)

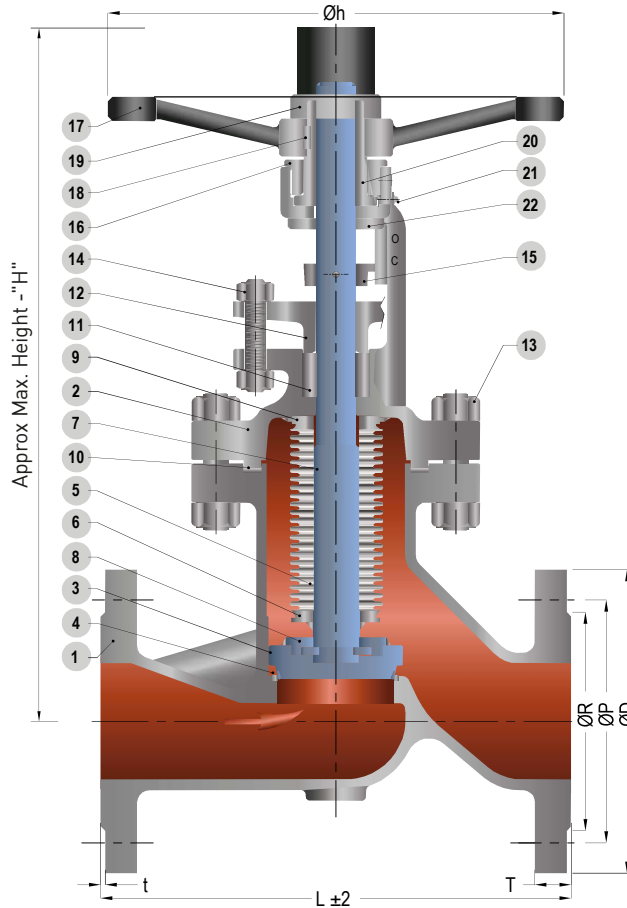
Temperature min. -200°C

Temperature max. +538°C



Testing pressure in bar

Hydro	Body	29
	Seat	21
Air	Seat	07

**MATERIALS**

N°	COMPONENT	MATERIALS
1	Body	ASTM - A 351 Gr.CF8M (1.4408)
2	Bonnet	ASTM - A 351 Gr.CF8M (1.4408)
3	Plug	ASTM - A 351 Gr.CF8M (1.4408)
4	Integral Seat	ASTM - A 351 Gr.CF8M (1.4408) + Stellite Gr. 6
5	Bellow	AISI - 316Ti
6	Bellow Collar	ASTM- A 276 Type 316
7	Stem	ASTM- A 276 Type 316
8	Stem Nut	ASTM- A 276 Type 316
9	Top Collar	ASTM- A 276 Type 316
10	Gasket	SPW - SS 316 + Graphite
11	Packing	Graphite
12	Gland Bush/Flange	ASTM - A 351 Gr.CF8M
13	Fastener	ASTM-A193 Gr.B8M/A194 Gr.8M
14	Gland Stud & Nut	ASTM-A193 Gr.B8M/A194 Gr.8M
15	Indicator	ASTM - A 351 Gr.CF8M
16	Yoke Nut	ASTM - A 276 TYPE 316
17	Hand Wheel	SG Iron / IS 2062 Gr. E 250 A
18	Hand Wheel Key	AISI - 316
19	Hand Wheel Nut/Cap	AISI - 316
20	Yoke Sleeve	SG Iron
21	Grease Nipple	AISI - 316
22	Guide Plate	AISI - 316

ZERO LEAKAGE: ASME B 16.34

Face to face acc. to ASME B 16.10

TESTING STD.- API 598

DIMENSIONS

NPS	Class Rating	ØD (outer flange diameter)	ØP (Bolt circle)	ØR	T (FGL.THK)	t	NO.OF HOLE / Ø	L (Face to face)	Øh	STROKE	H (closed)	Weight (Kg)
½"	150	90	60.3	34.9	9.6	2	4 / Ø16	108	172	5	277	7.0
¾"	150	100	69.9	42.9	11.2	2	4 / Ø16	117	172	5	280	8.5
1"	150	110	79.4	50.8	12.7	2	4 / Ø16	127	172	7	290	9.4
1 ½"	150	125	98.4	73.0	15.9	2	4 / Ø16	165	200	10	327	17
2"	150	150	120.7	92.1	17.5	2	4 / Ø19	203	200	13	355	19
2 ½"	150	180	139.7	104.8	20.7	2	4 / Ø19	216	250	16	430	33
3"	150	190	152.4	127.0	22.3	2	4 / Ø19	241	300	19	430	39.5
4"	150	230	190.5	157.2	22.3	2	8 / Ø19	292	300	26	516	56
6"	150	280	241.3	215.9	23.9	2	8 / Ø22	406	400	38	655	105
8"	150	345	298.5	269.9	27.0	2	8 / Ø22	495	450	51	785	180
10"	150	405	362.0	323.8	28.6	2	12 / Ø25	622	600	64	945	310

all dimensions in mm.

WORKING CONDITIONS

Temperature °C	-29/38	100	150	250	325	375	400
Pressure Bar	19,0	16,2	14,8	12,1	9,3	7,4	6,5

*CF8M valves can be used from -60 °C