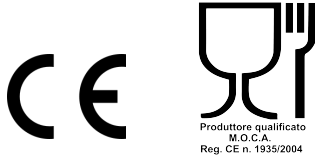




LEVEL INDICATOR (MOD. MLS)

Hydrometer for tank

Membrane level gauge to be applied directly to the tank.



This instrument is used to measure the hydrostatic pressure that the product exerts on the membrane.

Measurement system: the SABA level indicator uses the **schaeffer** technology: there is a membrane that, to obtain the maximum sensitivity and repeatability of the measurement, is large and is specially shaped and subsequently welded in TIG to the separator.

With this system the classic bourdon spring is not used and there is no oil inside the bourdon-separator spring unit which can give errors deriving from the increase in oil volume caused by temperature variation.

It is possible to measure dense products with suspended particles (musts, lees, concentrated fruit juices, wine and other food products) since the separation membrane guarantees perfect sanitization of the instrument.

TECHNICAL FEATURES:

Constructed entirely in AISI 316 stainless steel.

Scale Range: 0-6, 0-8.0-10, 0-12, 0-16 MT It is advisable to select the appropriate scale range for the tank height

(Example: 8 mt high tank choose 0-10 mt full scale, not 0-16 mt as there will be a smaller scale width

and less precision)

Dial: Ø 100 - 150 - 200 mm.

Case: Ø 100, 150, 200 mm in stainless steel

Sensitive element: Reinforced SCHAFFER type membrane in stainless steel

Movement: in stainless steel

Connections:

diaphragm RADIAL with threaded union DN 50 DN 65 only for the Ø 100, 150 mm versions.

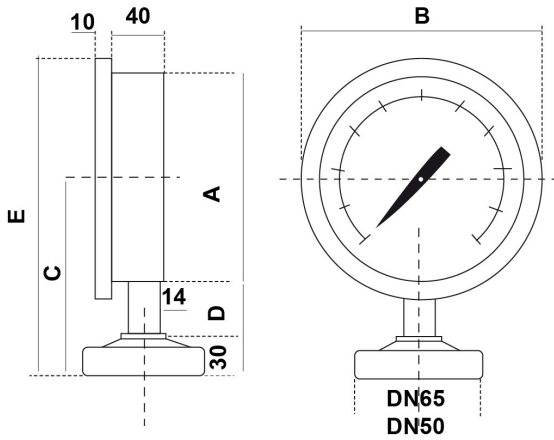
REAR only for model Ø 150-200 mm dia. With female threaded union DN 50 DN 65.

Tissue-welded AISI 316 membrane.

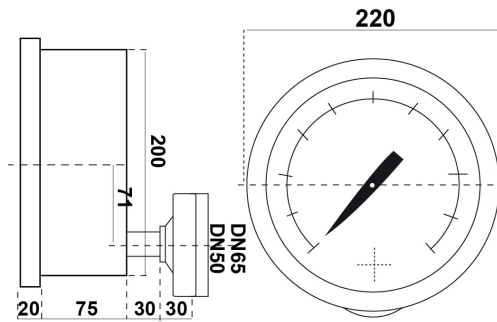
Accuracy: 1% full scale



Upon request, the possibility of applying electrical contacts is provided.
We recommend applying this tool about 300 mm from the bottom of the tank.



RADIAL



BACK

POS	A	B	C	D	E
100	100	125	105	15	167
150	150	175	145	28	232

Certificates:

Certification of materials

MOCA certification (material objects in contact with food – on request)

Pressure gauge calibration certificate (list of measured single values; 5 measurement points)

Order information:

Scale field / Process connection / Parts / Certificates