

## TECHNICAL DATA

Fluid connections	<b>1/4" BSP</b>
Air connection	<b>4 mm</b>
Max. Flow rate	<b>4 lt/min</b>
Max air pressure	<b>6 bar</b>
Max delivery head	<b>60 m</b>
Max Suction Lift Dry	<b>3 m</b>
Max Suction Lift Wet	<b>9,8 m</b>
Max Solid passing	<b>2 mm</b>
Noise level:	<b>62 dB</b>
Max Viscosity:	<b>5.000 cps</b>
Displacement per Stroke:	<b>18 CC ~</b>

- ⊕ II 3/3 G Ex h IIB T4 Gc
- ⊕ II -/3 D Ex h IIB T135°C Dc X

Displacement per stroke may vary based on suction condition, discharge head, air pressure and fluid type.

## POLYPROPYLENE



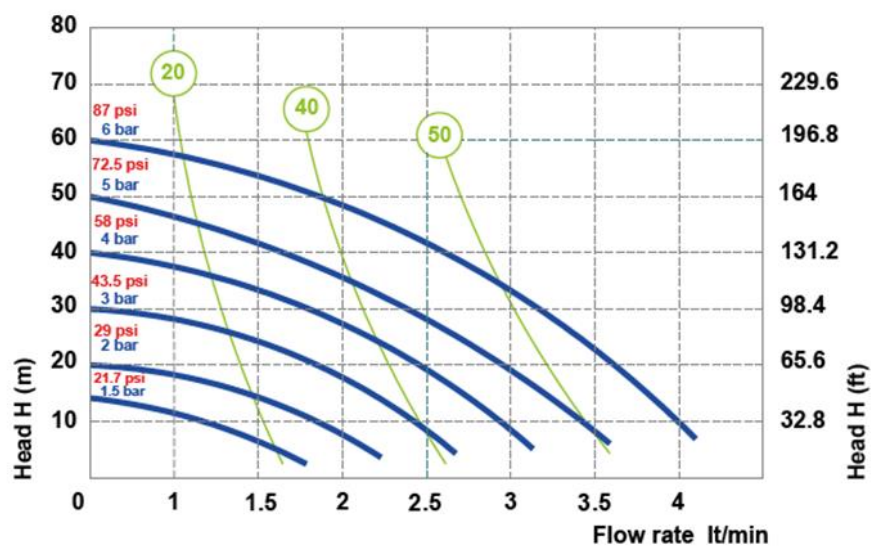
### WEIGHT

**0,84 KG**

### TEMPERATURE

**-4°C      +65°C**

## PERFORMANCE



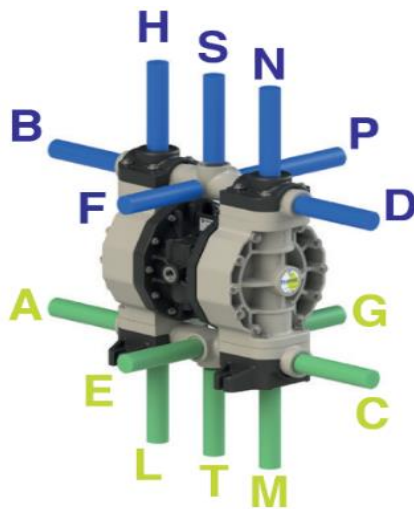
○ Air supply pressure

○ Air consumption Nit/min

The curves and performance values refer to pumps with submerged suction and free delivery outlet, with water at 20°C. These data may vary according to the construction materials and hydraulic conditions.

## COMPOSITION

MODEL	CASING	DIAPHRAGM	BALLS	SEATS	GASKET	CONNECTIONS	ATEX	PORTS
P0003	P = PP	NT = NBR+PTFE	T = PTFE S = SS	P = PP	D = EPDM V = VITON N = NBR T = PTFE	I = BSP 5 = NPT	-- ZONE 2	AB = STANDARD



## AVAILABLE CONNECTIONS

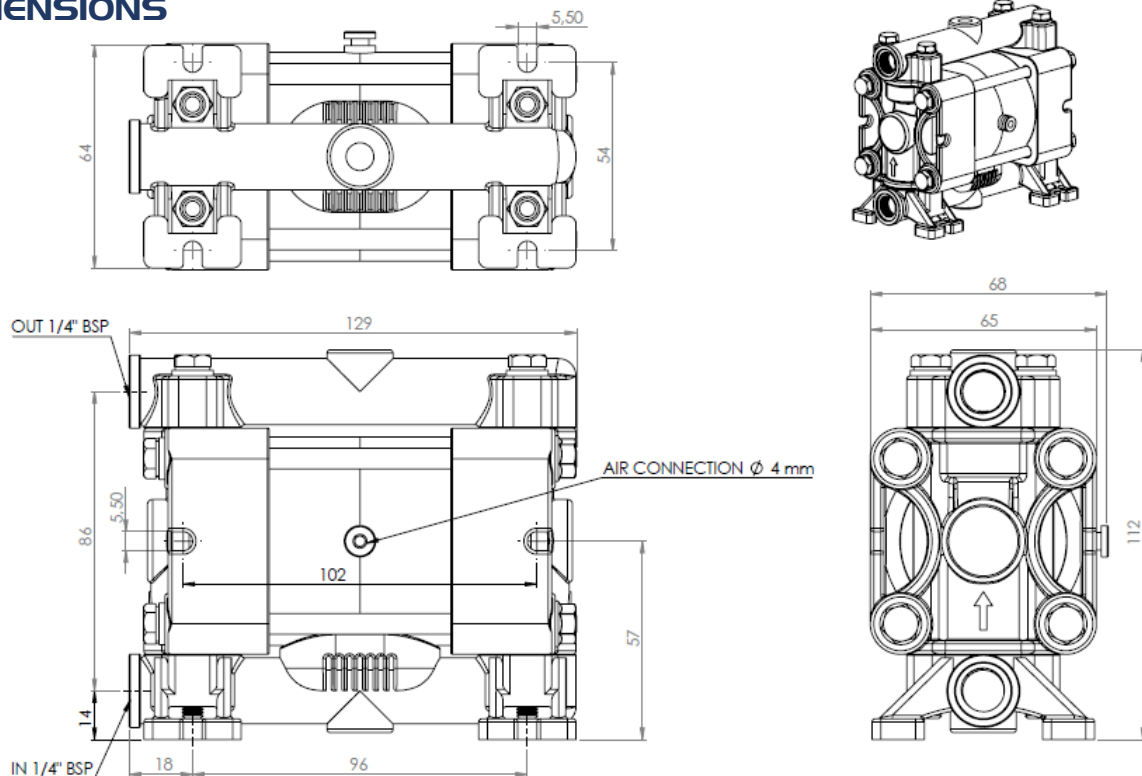
**DELIVERY: B-D-S**

**SUCTION: A-C-T**

## PACKING DIMENSION

CARTON BOX: 17 x 21 x 11 cm

## DIMENSIONS



Technical data are approximate and not binding for the manufacturer who reserves the right to change them without notice at any time.