



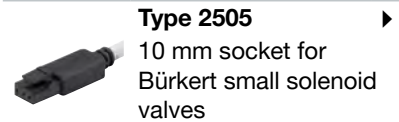
2/2 and 3/2 way Bürkert TwinPower Rocker-Solenoid Valve with separating diaphragm

- For highest chemical resistance requirements
- Ultra compact design due to Bürkert Twinpower actuator with 10.3 mm width
- DN 0.8 (5 bar) and DN 1.6 (2 bar)
- Integrated hit and hold electronic
- High back pressure tightness with excellent cleanability



Product variants described in the data sheet may differ from the product presentation and description.

Can be combined with



Type 2505 ▶
10 mm socket for Bürkert small solenoid valves

Type description

Type 6624 combines the reliable and successful Rocker principle with a highly innovative new actuator. The Bürkert TwinPower concept of this actuator reduces the size greatly without loss in performance. Hence the 10 mm wide medium isolated rocker valve, 6624, with a 1.6 mm orifice and a pressure resistance of 2 bar, provides the same performance as a traditional 16 mm valve. In addition, the integrated power reduction decreases the energy consumption by 75 %. In combination with other design features the heat transfer into the medium can be reduced to a minimum. In the design of the 6624, the main benefits lie in its excellent cleanability and a high reliability. By using high performance materials the 6624 suits the handling of aggressive medium perfectly. The valve is available in a 2-way and 3-way version.

Table of contents

1. General technical data	3
2. Product versions	4
3. Circuit functions	4
4. Materials	5
4.1. Chemical Resistance Chart – Bürkert resistApp.....	5
4.2. Material specifications	5
5. Dimensions	6
5.1. Flange version.....	6
5.2. Bürkert flange interface (10 x 30 mm).....	7
5.3. Tube connector version with flying leads.....	7
5.4. UNF ¼"-28 version with flying leads	8
6. Ordering information	8
6.1. Bürkert eShop – Easy ordering and quick delivery.....	8
6.2. Bürkert product filter	8
6.3. Ordering chart.....	9
6.4. Ordering chart accessories.....	11
Rectangular plug Type 2505	11
Further accessories	11

1. General technical data

Product properties	
Dimensions	Detailed information can be found in chapter "5. Dimensions" on page 6.
Material	
Seal	FFKM, FKM or EPDM
Fluid body	PEEK or PPS
Internal volume	Bürkert flange: from 110 µl Tube connector: from 285 µl UNF ¼"-28: from 115 µl
Nominal diameter	DN 0.8 (Vac ^{1.)} ...5 bar DN 1.6 (Vac ^{1.)} ...2 bar
Switching function	Detailed information can be found in chapter "3. Circuit functions" on page 4.
Electrical data	
Operating voltage ^{2.)}	12 V DC, 24 V DC
Voltage tolerance ^{3.)}	12 V DC +10 % / -5 % 24 V DC ±10 %
Switching frequency ^{4.)}	Max. 5 Hz
Nominal power consumption	4 W inrush power 1 W nominal holding power (internal power reduction)
Performance data	
Duty cycle	100 % continuous rating
Switching times ^{3.)}	Opening: ca. 10 ms (Pressure rise 0...10 %) Closing: ca. 13 ms (Pressure drop 100...90 %)
Medium data	
Operating medium	Resistant to neutral and aggressive liquids and gases; see chapter "4.1. Chemical Resistance Chart – Bürkert resistApp" on page 5)
Medium temperature	FFKM: +15 °C...+50 °C FKM: -10 °C...+50 °C EPDM: -10 °C...+50 °C (for orifice DN 0.8) +5 °C...+50 °C (for orifice DN 1.6)
Process/Port connection & communication	
Port connection	Bürkert Flange (10 x 30 mm) Tube connection UNF ¼"-28
Electrical connection	PFA single leads, 0.5 mm ² , AWG 20, length 300 mm Rectangular plug Type 2505 ▶
Environment and installation	
Installation	As required, preferably with actuator upright
Degree of protection	IP40 with flying leads IP30 with rectangular plug Type 2505 ▶
Ambient temperature	FFKM: +15 °C...+55 °C FKM: -10 °C...+55 °C EPDM: -10 °C...+55 °C (for orifice DN 0.8) +5 °C...+55 °C (for orifice DN 1.6)
Minimum bending radius for flying leads version	Single bending: 8 mm Multiple bending: 13 mm

1.) Technical vacuum (-0.8 bar) at NC or NO; connection at valve output (COM/OUT) only after consultation

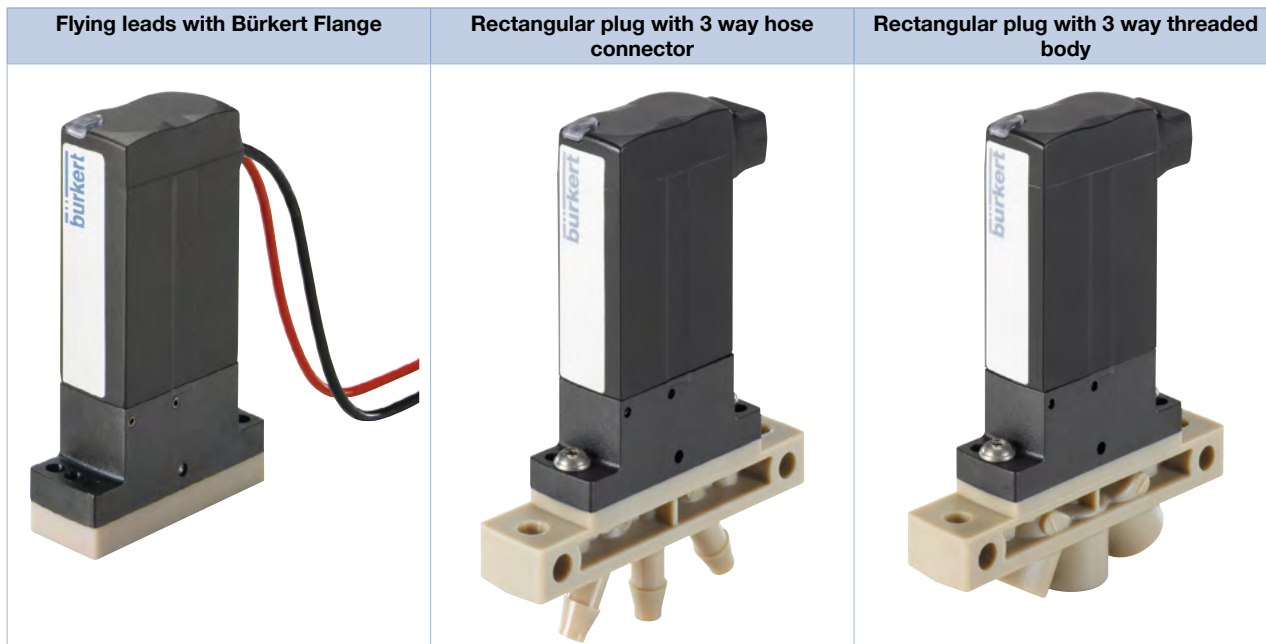
2.) Battery voltage, observe polarity (Flying leads version: red = +, black = -)

3.) Max. allowed ripple

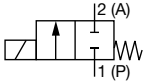
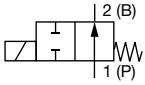
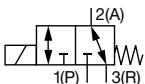
4.) With ambient temperature of 20 °C

5.) Measurement at the valve outlet at 2 bar and 20 °C according to DIN ISO 12238:2001

2. Product versions

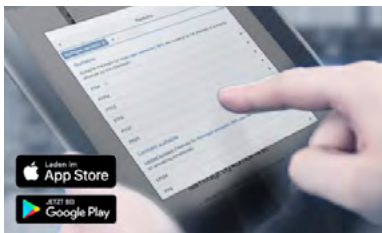


3. Circuit functions

Circuit functions	Description
	<p>Type: A, solenoid valve 2/2 way Direct-acting Normally closed</p>
	<p>Type: B, solenoid valve 2/2 way Direct-acting Normally open</p>
	<p>Type: T, solenoid valve 3/2 way Direct-acting Flow direction optional Normally closed</p>

4. Materials

4.1. Chemical Resistance Chart – Bürkert resistApp

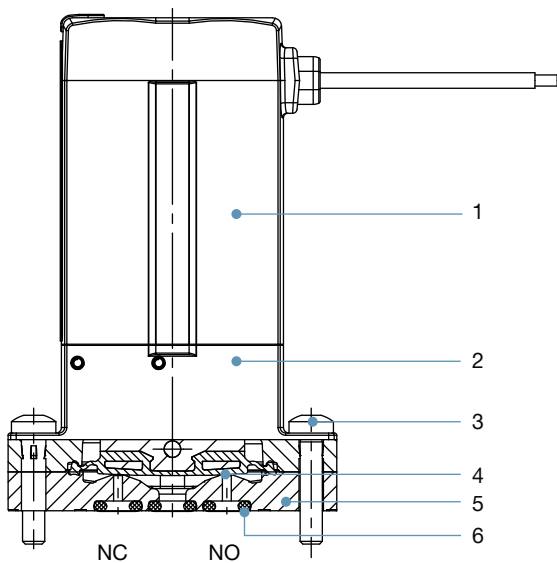


Bürkert resistApp – Chemical Resistance Chart

You want to ensure the reliability and durability of the materials in your individual application case? Verify your combination of media and materials on our website or in our resistApp.

[Start Chemical Resistance Check](#)

4.2. Material specifications



No.	Element	Material
1	Coil	Epoxy
2	Valve body	PPS
3	Mounting screw M2	Stainless steel
4	Diaphragm (in contact with medium)	FFKM, FKM or EPDM
5	Fluid body (in contact with media)	PEEK or PPS
6	Flange seal (in contact with medium)	FFKM, FKM or EPDM

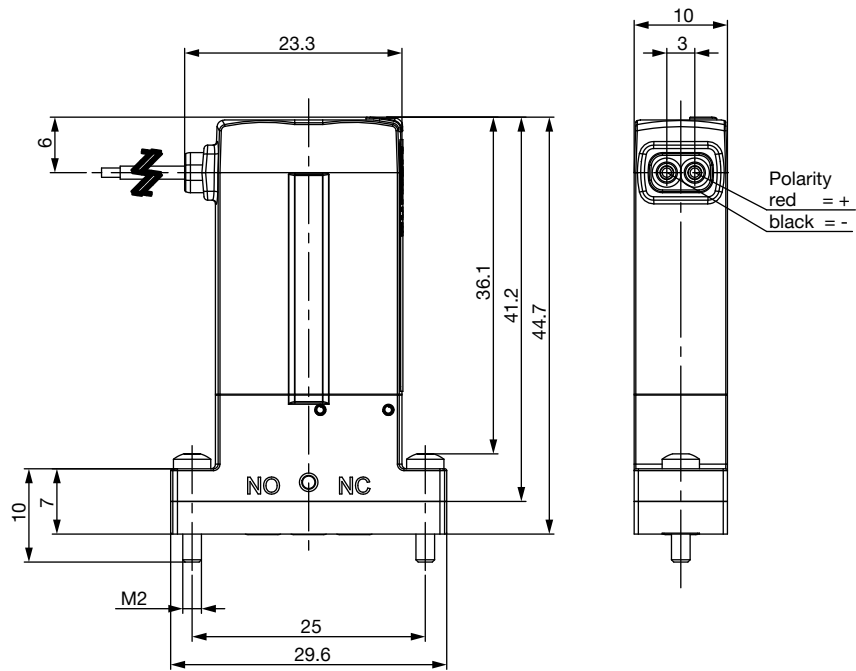
5. Dimensions

5.1. Flange version

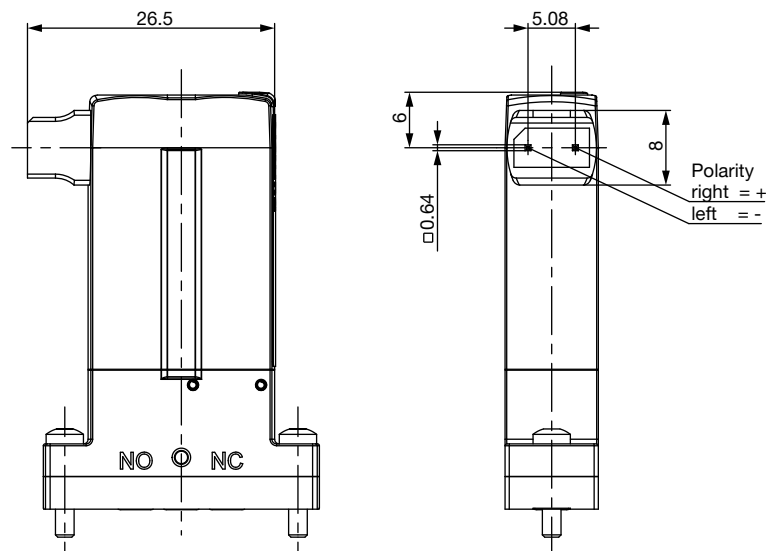
Note:

- Observe polarity!
- Dimensions in mm

Electrical connection: flying leads



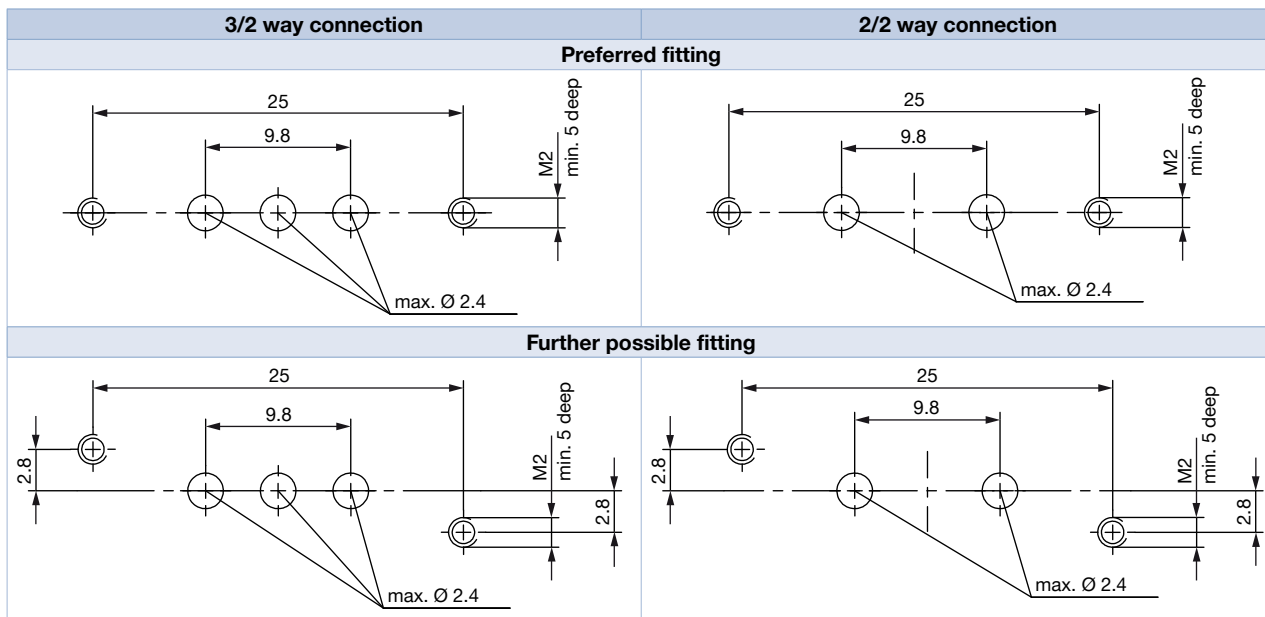
Electrical connection: Rectangular plug (Type 2505)



5.2. Bürkert flange interface (10 x 30 mm)

Note:

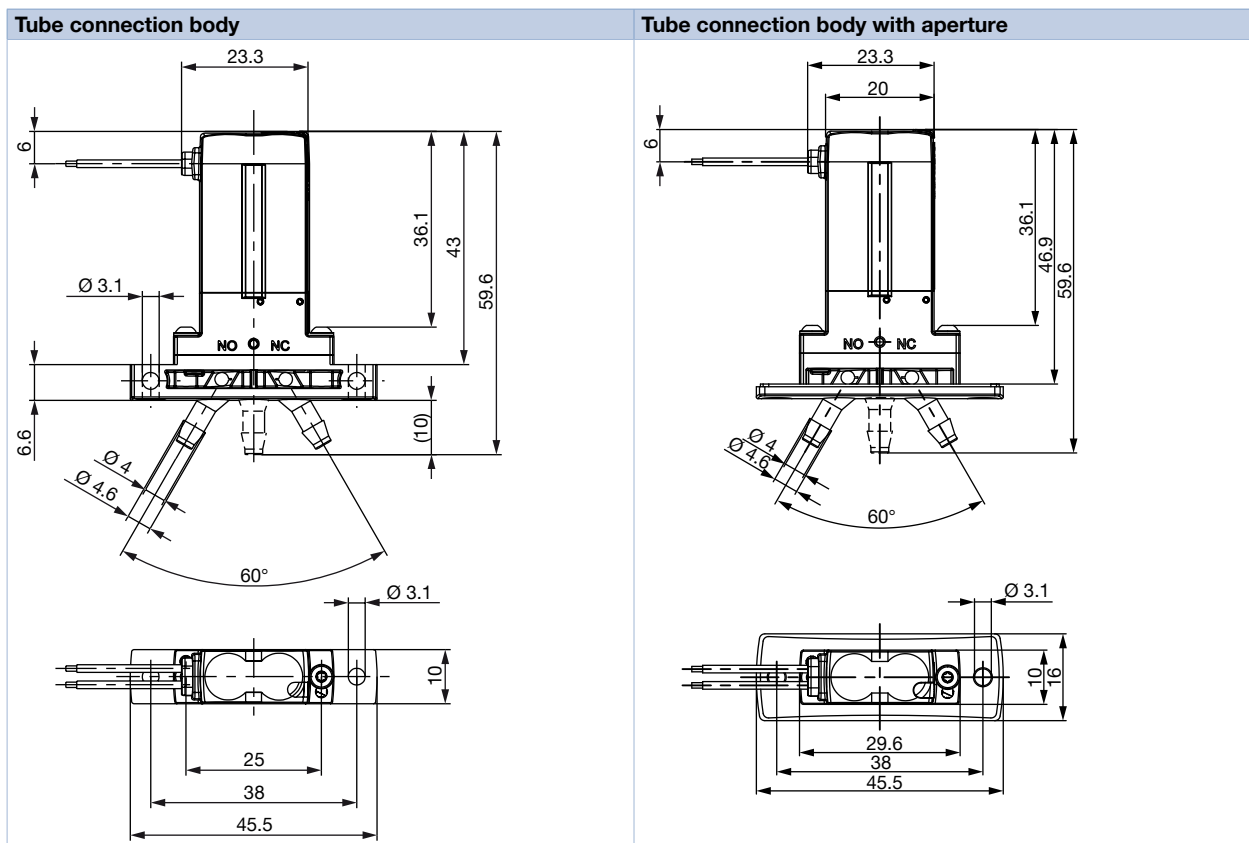
Dimensions in mm



5.3. Tube connector version with flying leads

Note:

Dimensions in mm

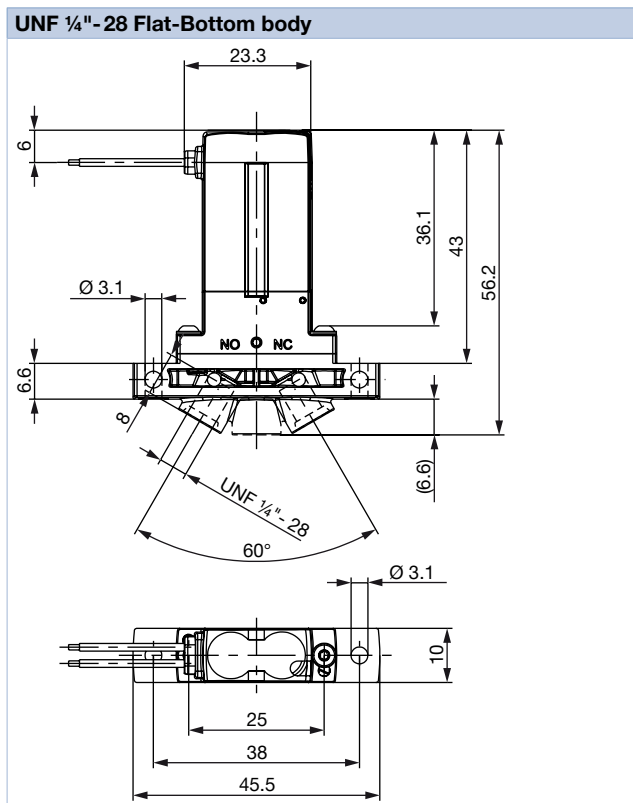


DTS 1000155774 EN Version: J Status: RL (released | freigegeben | valide) printed: 27.10.2020

5.4. UNF 1/4"-28 version with flying leads

Note:

Dimensions in mm



6. Ordering information

6.1. Bürkert eShop – Easy ordering and quick delivery



Bürkert eShop – Easy ordering and fast delivery

You want to find your desired Bürkert product or spare part quickly and order directly? Our online shop is available for you 24/7. Sign up and enjoy all the benefits.

[Order online now](#)

6.2. Bürkert product filter



Bürkert product filter – Get quickly to the right product

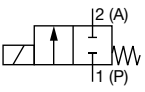
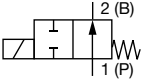
You want to select products comfortably based on your technical requirements? Use the Bürkert product filter and find suitable articles for your application quickly and easily.

[Try out our product filter](#)

6.3. Ordering chart

Note:

- Other versions on request
- 2 x fixing screws M2 x 10 for flange versions are included in delivery
- Connectors for rectangular plugs are not included in the scope of delivery and must be ordered separately, see “6.4. Ordering chart accessories” on page 11

Circuit functions	Orifice	Port connection	K _v value water ^{1,)}	Pressure range	Max. pressure difference	Seal material	Fluid body material	Electrical connection	Voltage/ Frequency	Article no.		
	[mm]								[m ³ /h]		[bar]	[bar]
A, solenoid valve 2/2 way Direct-acting Normally closed 	0.8	Bürkert flange	0.01	Vac...5	5	EPDM	PPS	Flying leads 0.3 m	12/DC	241341		
								Rectangular plug		241398		
								Flying leads 0.3 m	24/DC	241342		
								Rectangular plug		241399		
						FFKM	PEEK	Flying leads 0.3 m	12/DC	241344		
									24/DC	227015		
								FKM	PPS	Rectangular plug	12/DC	241405
										Flying leads 0.3 m	24/DC	241351
	FFKM	PEEK	Rectangular plug		241346							
				FKM		241349						
	B, solenoid valve 2/2 way Direct-acting Normally open 	1.6	Bürkert flange	0.04	Vac...2	2	EPDM	PPS	Rectangular plug	12/DC	241412	
										24/DC	241413	
							FFKM	PEEK	Flying leads 0.3 m	12/DC	241359	
									Rectangular plug	24/DC	229429	
FKM							PPS	Flying leads 0.3 m	12/DC	241367		
								Rectangular plug		241424		
EPDM		PEEK	Flying leads 0.3 m	24/DC	241368							
			Rectangular plug		241411							
FFKM		PEEK	Flying leads 0.3 m		241361							
			FKM		241366							
EPDM		PEEK	Rectangular plug		241423							
			FKM		241409							
FFKM	PEEK	Flying leads 0.3 m		237705								
		FKM		241363								
Rectangular plug	PEEK	Flying leads 0.3 m		241421								
		Rectangular plug										
0.8	Bürkert flange	0.01	Vac...5	5	FFKM	PEEK	Flying leads 0.3 m	24/DC	auf Anfrage			
							Rectangular plug					
1.6	Bürkert flange	0.04	Vac...2	2	FFKM	PEEK	Flying leads 0.3 m	24/DC	auf Anfrage			
							Rectangular plug		257036			

Circuit functions	Orifice	Port connection	K _v value water ^{1.)}	Pressure range	Max. pressure difference	Seal material	Fluid body material	Electrical connection	Voltage/ Frequency	Article no.
	[mm]		[m ³ /h]						[bar]	
T_v solenoid valve^{2.)} 3/2 way Direct-acting Flow direction optional Normally closed 	0.8	Bürkert flange	0.01	Vac...5	5	EPDM	PPS	Rectangular plug	12/DC	241428 ☒
									24/DC	241429 ☒
						FFKM	PEEK	Flying leads 0.3 m	12/DC	241373 ☒
									24/DC	222936 ☒
						FKM	PPS	Rectangular plug	12/DC	241379 ☒
		24/DC							241435 ☒	
		UNF ¼"-28				FFKM	PEEK	Flying leads 0.3 m	24/DC	241375 ☒
									24/DC	241377 ☒
						FKM	PEEK	Rectangular plug	24/DC	241434 ☒
									12/DC	241442 ☒
	24/DC		241443 ☒							
	1.6	Bürkert flange	EPDM	0.04	Vac...2	2	PPS	Rectangular plug	12/DC	241442 ☒
									24/DC	241443 ☒
			FFKM				PEEK	Flying leads 0.3 m	12/DC	239935 ☒
									24/DC	227815 ☒
			FKM				PPS	Rectangular plug	12/DC	229430 ☒
		12/DC							241394 ☒	
		24/DC							241453 ☒	
		UNF ¼"-28	EPDM				PEEK	Rectangular plug	24/DC	241395 ☒
									24/DC	241441 ☒
FFKM			PEEK				Flying leads 0.3 m	24/DC	241389 ☒	
	24/DC			241452 ☒						
	24/DC			241393 ☒						
Tube connector	EPDM	PEEK	Rectangular plug	24/DC	241439 ☒					
				24/DC	241387 ☒					
	FFKM	PEEK	Flying leads 0.3 m	24/DC	242320 ☒					
				24/DC	241445 ☒					
				24/DC	241391 ☒					
Tube connector ^{3.)}	EPDM	PEEK	Rectangular plug	24/DC	241445 ☒					
				24/DC	241391 ☒					
	FKM	PEEK	Flying leads 0.3 m	24/DC	241445 ☒					
				24/DC	241391 ☒					
				24/DC	241450 ☒					

1.) Flow rate value for water, measured at +20 °C, 1 bar to atmospheric pressure at the valve inlet and free outlet
 2.) Pressure range: Technical vacuum (-0.8 bar) at NC or NO; connection at valve output (COM/OUT) only by arrangement.
 3.) The housing has an aperture for easier separation of electronics and fluidics.




DTS 1000155774 EN Version: J Status: RL (released | freigegeben | validé) printed: 27.10.2020

6.4. Ordering chart accessories


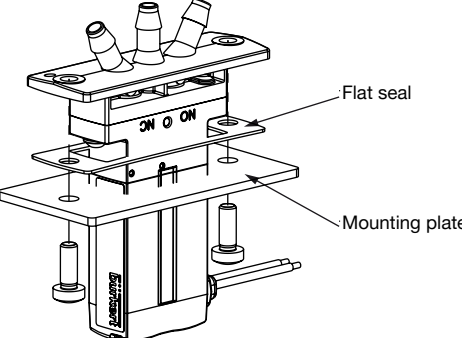
Rectangular plug Type 2505

Note:

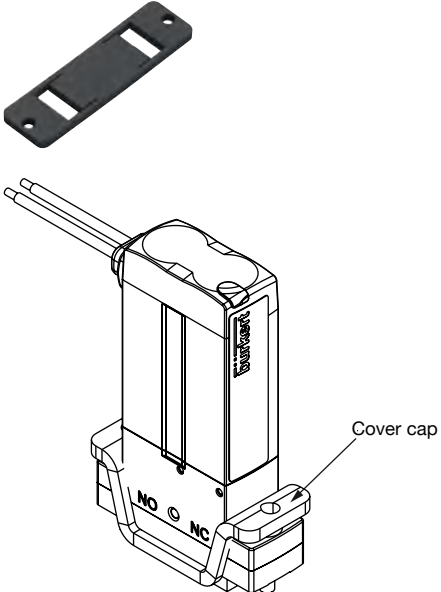
For further versions see data sheet [Type 2505 ▶](#).

Accessory	Description	Article no.
	Rectangular cable plug Type 2505 with 3 m cable	252572
	Rectangular cable plug Type 2505 with 5 m cable	255194
	Rectangular cable plug Type 2505 with 300 mm flying leads	644068
	Rectangular cable plug Type 2505 with 600 mm flying leads	162144
	Rectangular plug Type 2505, single contact for individual mounting	644067

Further accessories

Accessories	Description	Article no.
 	Foamed EPDM flat seal for tube connector body with aperture	685294

DTS 1000155774 EN Version: J Status: RL (released | freigegeben | validé) printed: 27.10.2020

Accessories	Description	Article no.
	<p>EPDM cover cap for flange body</p>	<p>on request</p>

Bürkert – Close to You

For up-to-date addresses
please visit us at
www.burkert.com

DTS 1000155774 EN Version: J Status: RL (released | freigegeben | validé) printed: 27.10.2020

