



Electromotive 2 way globe proportional valve

- Actuator isolated from flow path
- Excellent range and fast response times
- Low power consumption
- Connection nominal diameter DN 8...DN 15
- Variants: Standard, positioner, process controller and high pressure variant up to 22 bar

Product variants described in the data sheet may differ from the product presentation and description.

Can be combined with

	Type 8006 Mass Flow Meter (MFM)	▶
	Type 8008 Flowmeter for gases	▶
	Type 8746 Mass flow controller (MFC) / Mass flow meter (MFM) for gases	▶
	Type 8611 eCONTROL - Universal controller	▶

Type description

The direct-acting motor valve of Type 3280 is used for dosing of liquids and gases in closed or open control loops. The valve features a linear stepper motor as actuator. The integrated electronics simplify the process integration; additional actuation modules are not necessary. The motor's power consumption to hold a specific opening position of the valve is zero. This key feature can reduce the energy consumption of a plant dramatically and thus make it more efficient. Type 3280 is available as standard ON/OFF or proportional valve, as variant with integrated positioner and as variant with integrated process controller.

Table of contents

1. General technical data	4
1.1. General.....	4
1.2. Electrical control and interfaces.....	5
2. Approvals and conformities	6
2.1. General notes.....	6
2.2. Conformity	6
2.3. Standards.....	6
2.4. Foods and beverages/Hygiene	6
2.5. Others	6
Oxygen.....	6
3. Materials	7
3.1. Bürkert resistApp	7
3.2. Material specifications	7
4. Dimensions	8
4.1. Threaded body.....	8
4.2. Sub-base body	9
4.3. Cartridge housing	10
4.4. Capacitive buffer module.....	11
5. Device/Process connections	12
5.1. Analogue	12
5.2. Digital (fieldbus).....	12
6. Performance specifications	13
6.1. Duty cycle derating diagram	13
6.2. Pressure range	14
Standard variant.....	14
High-pressure variant.....	14
6.3. Flow characteristic	15
Determination of the K_v value.....	15
Exemplary characteristic curve of the motor valve.....	15
7. Product operation	16
8. Product accessories	17
8.1. Accessories capacitive buffer module	17
8.2. Software Bürkert Communicator	17
Connection Type 3280 with Bürkert Communicator software	18
9. Ordering information	18
9.1. Bürkert eShop	18
9.2. Recommendation regarding product selection.....	18
9.3. Bürkert product filter	18
9.4. Bürkert Product Enquiry Form	19

9.5.	Ordering chart accessories.....	19
	Standard accessories	19
	Accessories cable.....	19
	Bürkert accessories	19

1. General technical data

1.1. General

Product properties	
Dimensions	Refer to "4. Dimensions" on page 8 chapter for more information.
Material	
Refer to "3.2. Material specifications" on page 7 chapter for more information.	
Valve body	Brass or stainless steel
Seal ¹⁾	<ul style="list-style-type: none"> • NBR for liquids • EPDM for liquids and special gases (e. g. ammonia, acetylene) • FKM for neutral gases
Design	<ul style="list-style-type: none"> • Globe On/Off valve • Globe control valve
Connection nominal diameter	DN 8...DN 15, NPS ¼, ¾, ½
Safety setting in case of power failure	With capacitive buffer module as accessory, see chapter "4.4. Capacitive buffer module" on page 11.
Flow direction	Against closing direction (below seat)
Controller variant	Standard On/Off, standard control valve, position controller or process controller
Weight	~0.7 kg
Status display	LED (Refer to the instruction manual for more information.)
Performance data	
Typical values of positioning behaviour²⁾	
Dead band of the position control	±0.5 % (corresponds to setting range 1:100)
Closing time	2.5 s
Operating pressure	0...6 bar(g) (High pressure variant up to 22 bar(g) (depending on seat size, see chapter "6.2. Pressure range" on page 14) available (optional)) Vacuum variant up to -0.9 bar(g) (optional)
K _{vs} value	0.03...1.9 m ³ /h (see chapter "6.2. Pressure range" on page 14)
Electrical data	
Operating voltage	24 V DC ±10 % (max. residual ripple 10 %)
Power consumption	<1 W in holding position Max. 8 W (DN 2...DN 6) resp. max. 12 W (DN 8 and DN 10, as well as high-pressure variants)
Duty cycle	Up to 100 % (depending on medium and ambient temperature)
Medium data	
Process medium	Neutral gases, liquids
Medium temperature	<ul style="list-style-type: none"> • EPDM (seal material): -30 °C...+70 °C • FKM, NBR (seal material): 0 °C...+70 °C
Viscosity	Max. 600 mm ² /s (cSt)
Process/Port connection & communication	
Port connection ³⁾	<ul style="list-style-type: none"> • Threaded connection <ul style="list-style-type: none"> – G (EN ISO 228-1) – NPT (ASME B 1.20.1) • Flange connection • Cartridge connection Refer to "4. Dimensions" on page 8 chapter for more information.
Communication and control	
Standard signal (analogue)	Setpoint: binary, 0/4...20 mA, 0...5/10 V and digital input, see chapter "1.2. Electrical control and interfaces" on page 5.
Fieldbus (digital)	<ul style="list-style-type: none"> • Bürkert system bus (büS) • CANopen (optional)
EDIP	Field device for integration into the EDIP platform via Bürkert system bus (büS) Refer to "8.2. Software Bürkert Communicator" on page 17 chapter for more information.

Environment and installation

Ambient temperature ^{4.)}	- 10 °C...+60 °C (Derating see "6.1. Duty cycle derating diagram" on page 13)
Degree of protection	IP54
Installation position	As required, preferably with actuator upright

- 1.) For seat sizes 1 and 1.5, PEEK seat seals are used. In this case the seat tightness of the valve is reduced.
 2.) The characteristic values of the control behaviour also depend on the operating conditions and refer to the final value.
 3.) Others on request
 4.) Maximum ambient temperature for high-pressure variant and from seat size 8 and 10 mm 50 °C

1.2. Electrical control and interfaces

Technical data	Device variant					
	Standard (G/H)		Positioner (C)		Process controller (D)	
	ON/OFF (G)	Control valve (H) ^{1.)}	Analogue	Digital (fieldbus)	Analogue	Digital (fieldbus)
Electrical connection	M12 plug, A-coded, 8-pin	M12 plug, A-coded, 8-pin	M12 plug, A-coded, 8-pin	M12 plug, A-coded, 5-pin	M12 plug, A-coded, 8-pin and M12 socket, A-coded, 5-pin	M12 plug, A-coded, 5-pin and M12 socket, A-coded, 5-pin
Input signal (setpoint)	Digital input: 0...5 V (log. 0, valve closed) or 10...30 V (log. 1, valve open)	4...20 mA, 0...10 V or PWM (800 Hz) min: 10 V type: 24 V max: 30 V	4...20 mA, 0...20 mA, 0...10 V or 0...5 V	–	4...20 mA, 0...20 mA, 0...10 V or 0...5 V	–
Input signal (actual value from ext. Sensor)	–	–	–	–	4...20 mA, 0...20 mA, 0...10 V or 0...5 V	4...20 mA, 0...20 mA, 0...10 V, 0...5 V or frequency (5...2000 Hz)
Input impedance for analogue input	22 kΩ	60 Ω (current), 22 kΩ (voltage)	60 Ω (current), 22 kΩ (voltage)	–	60 Ω (current), 22 kΩ (voltage)	60 Ω (current), 22 kΩ (voltage)
Output signal (actual value)	Digital output: PNP, max. 100 mA current limits, feedback function (output signal active, when valve closed)	Digital output: PNP, max. 100 mA current limits, feedback function (output signal active, when valve closed)	0/4...20 mA (max. load: 560 Ω), 0...5/10 V (max. current: 10 mA)	–	0/4...20 mA (max. load: 560 Ω), 0...5/10 V (max. current: 10 mA)	–
Fieldbus interface	–	–	–	büS / CANopen	–	büS / CANopen
Parameterization Tool	–	–	Bürkert Communicator (Connection via büS stick)	Bürkert Communicator (Connection via büS stick)	Bürkert Communicator (Connection via büS stick)	Bürkert Communicator (Connection via büS stick)

- 1.) The standard control valve variant is a proportional valve which, like the positioner variant, changes the valve stroke continuously depending on the input signal. This variant has no büS interface and no analogue output signal.

2. Approvals and conformities

2.1. General notes

- The approvals and conformities listed below must be stated when making enquiries. This is the only way to ensure that the product complies with all required specifications.
- Not all available versions can be supplied with the below mentioned approvals or conformities.

2.2. Conformity

In accordance with the Declaration of conformity, the product is compliant with the EU Directives.

2.3. Standards

The applied standards which are used to demonstrate compliance with the EU Directives are listed in the EU-Type Examination Certificate and/or the EU Declaration of Conformity.

2.4. Foods and beverages/Hygiene

Conformity	Description
FDA	FDA – Code of Federal Regulations All wetted materials are compliant with the Code of Federal Regulations published by the FDA (Food and Drug Administration, USA) according to the manufacturer's declaration.

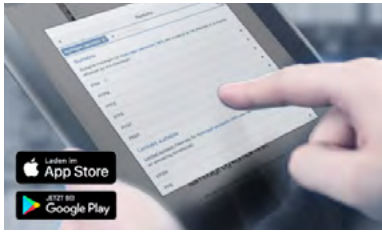
2.5. Others

Oxygen

Conformity	Description
O ₂	Oxygen In their composition, the products are suitable for use with gaseous oxygen (optional).

3. Materials

3.1. Bürkert resistApp



Bürkert resistApp – Chemical resistance chart

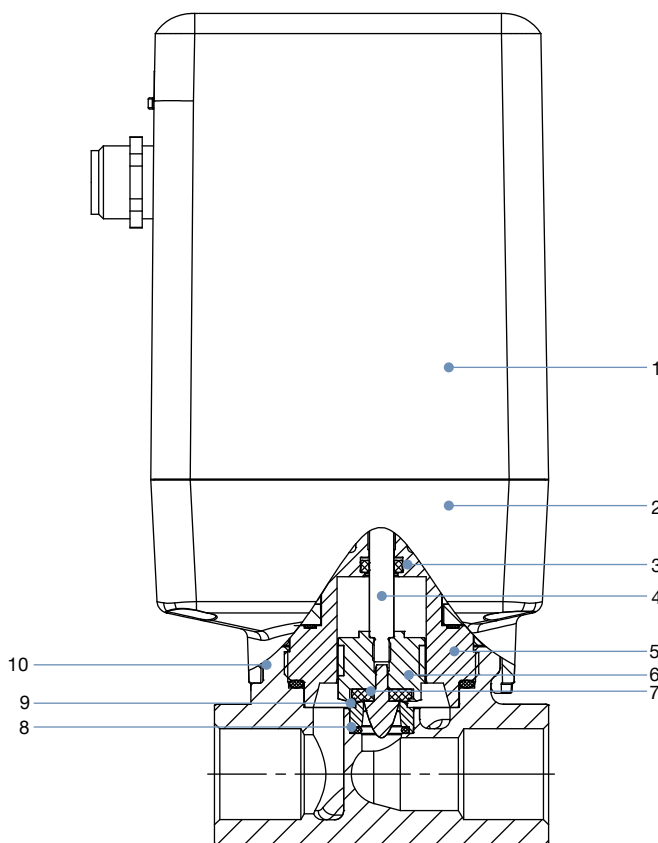
You want to ensure the reliability and durability of the materials in your individual application case? Verify your combination of media and materials on our website or in our resistApp.

[Start chemical resistance check](#)

3.2. Material specifications

Note:

The globe control valve Type 3280 is supplied with various pipe connections. These connections are not shown completely. However, they correspond to the material of the valve housing.



Actuator

No.	Element	Material
1	Housing cover	PC (Polycarbonate)
2	Housing base	PPS (Polyphenylene sulfide)

Valve body

No.	Element	Material
3	Spindle seal	FKM/EPDM/NBR
4	Spindel	Stainless steel 1.4305
5	Upper valve body	Brass or stainless steel 1.4305
6	Piston with parabolic control element and guiding shaft	PTFE Stainless steel 1.4305
7	Elastomer seat seal	FKM/EPDM/NBR
8	O-ring	FKM/EPDM/NBR
9	Seat	Stainless steel 1.4301/1.4305
10	Valve body	Brass or stainless steel AISI 316L

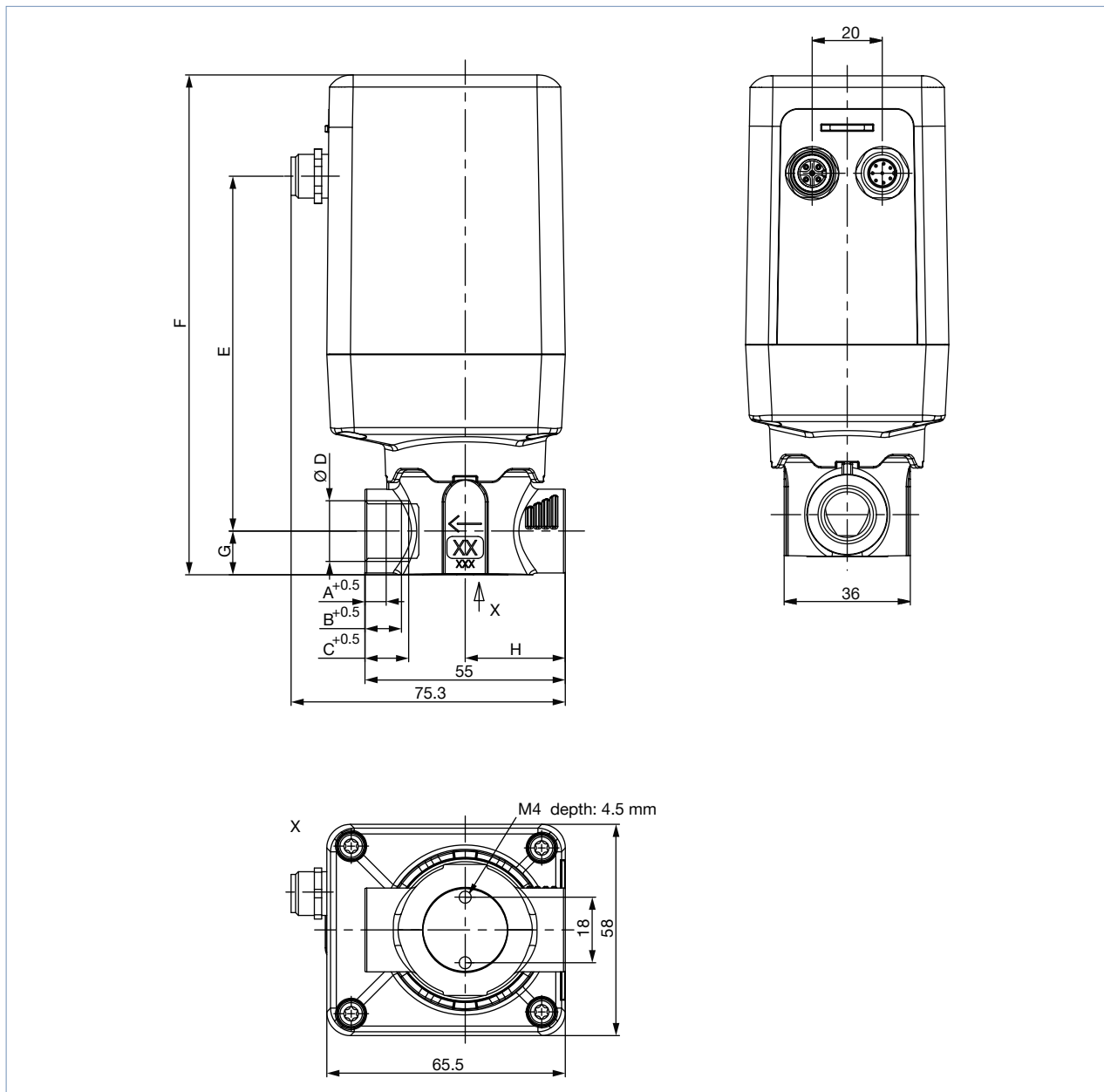
DTS 1000240084 EN Version: AD Status: RL (released | freigegeben | validé) printed: 31.08.2023

4. Dimensions

4.1. Threaded body

Note:

Dimensions in mm

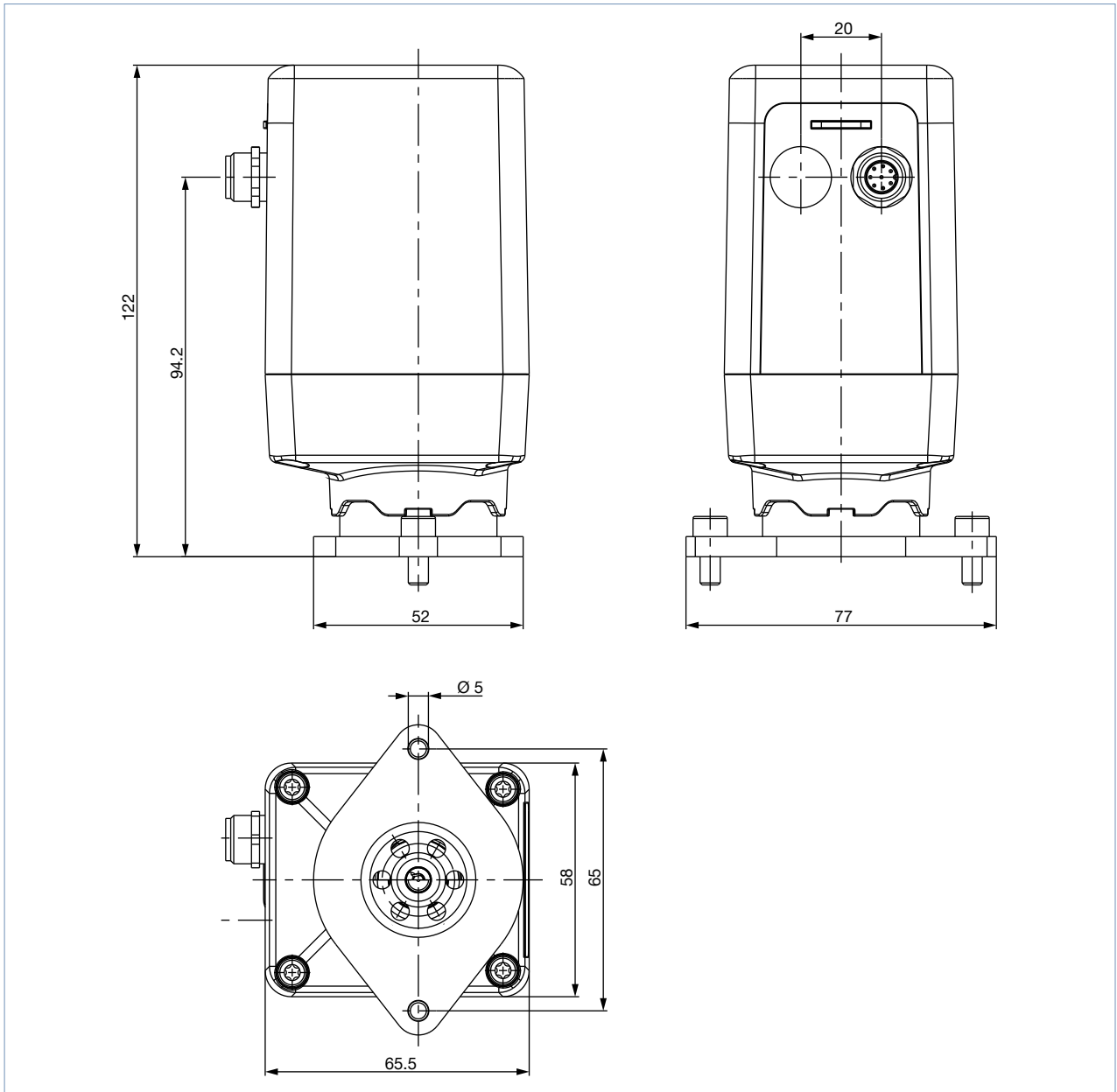


A	B	C	D	E	F	G	H
-	-	12	G 3/8	97.4	137.2	12	27.5
6	10.3	-	NPT 3/8	97.4	137.2	12	27.5
-	-	12	G 1/4	96.4	134.2	10	27.5
5.8	10	-	NPT 1/4	96.4	134.2	10	27.5
-	-	14	G 1/2	97.4	139.2	14	29.5
8.2	13.7	-	NPT 1/2	97.4	139.2	14	29.5

4.2. Sub-base body

Note:

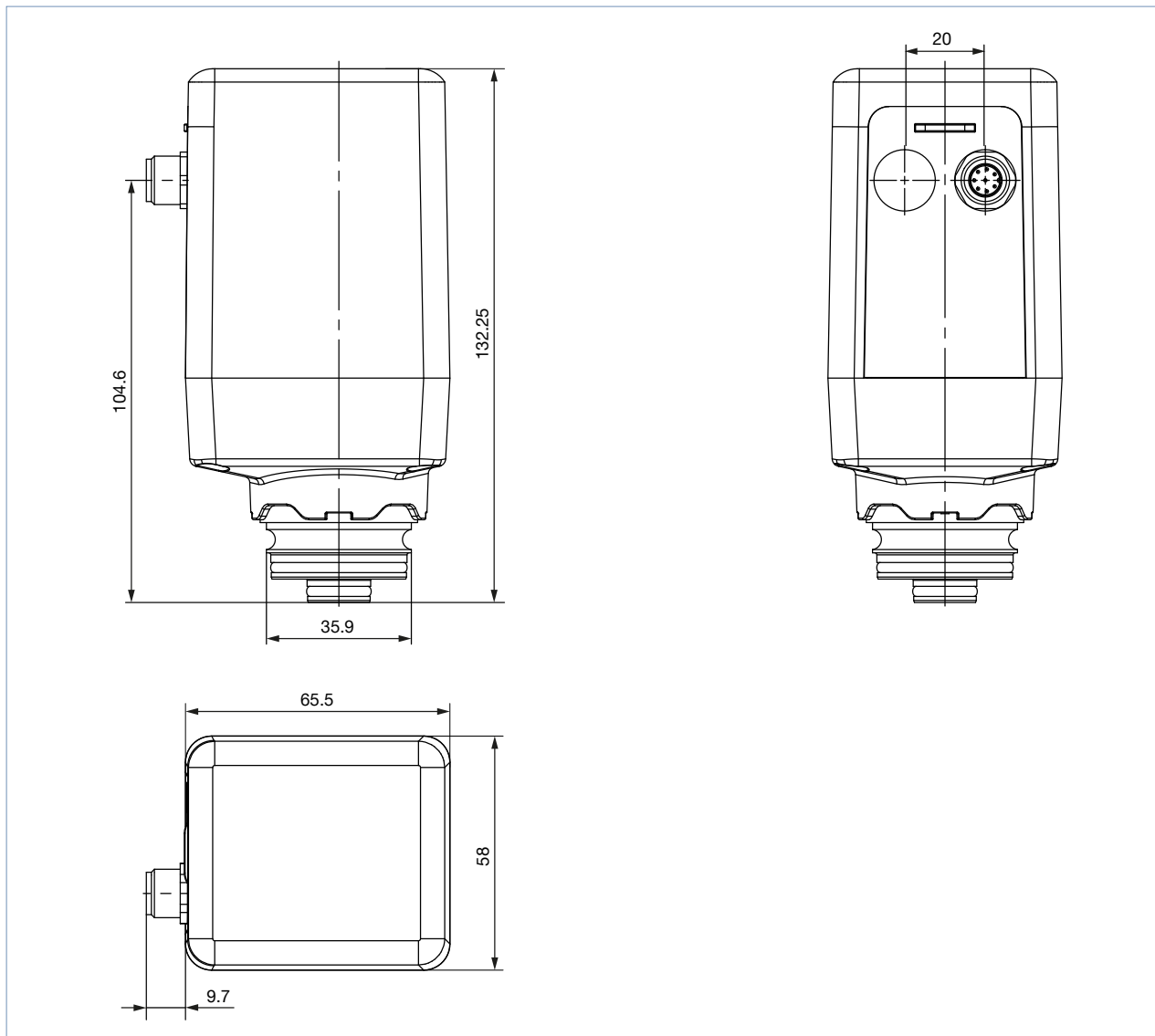
Dimensions in mm



4.3. Cartridge housing

Note:

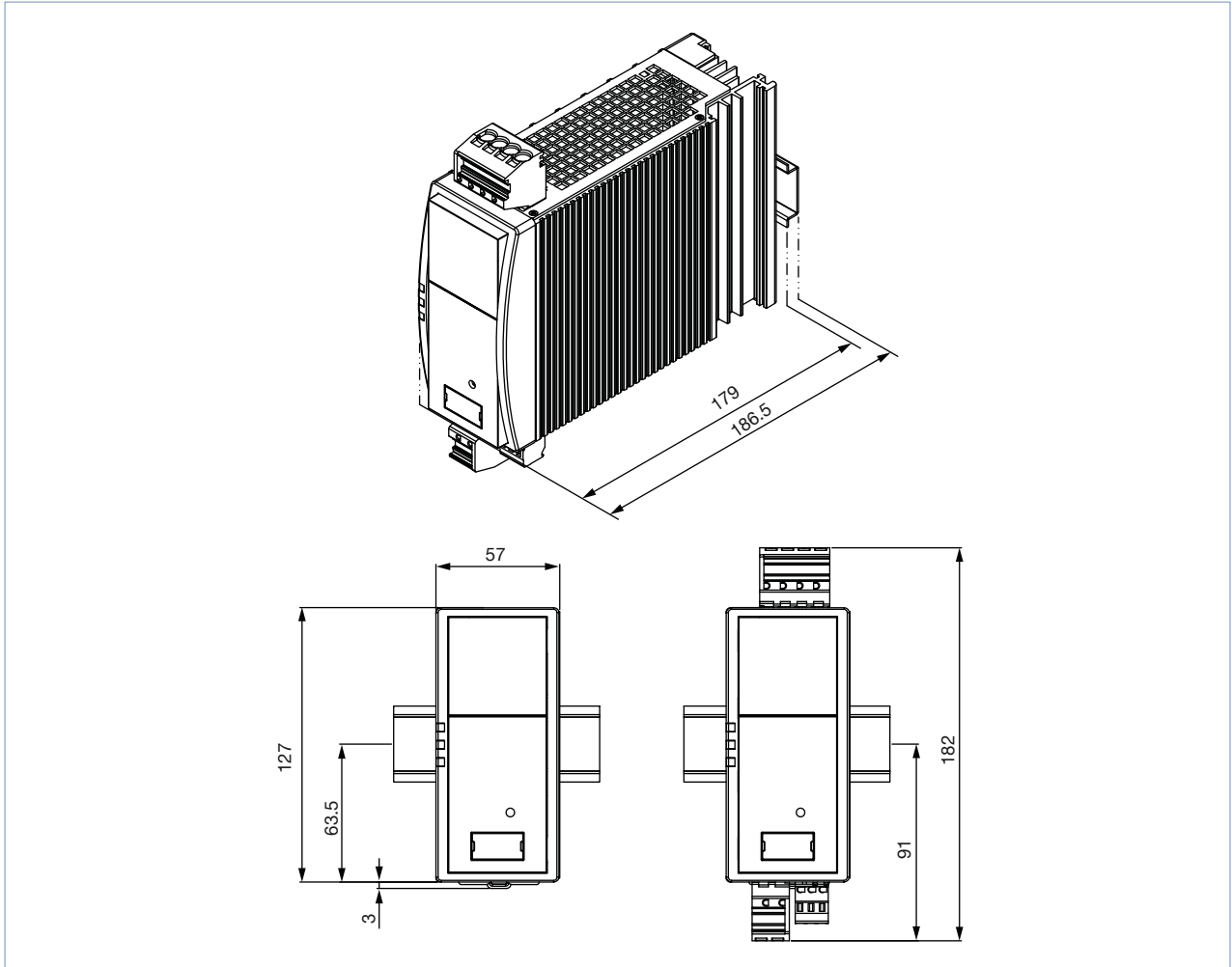
- Dimensions in mm
- Installation drawing for cartridge body see operating instructions **Type 3280** ▶



4.4. Capacitive buffer module

Note:

- Dimensions in mm
- Refer to “8.1. Accessories capacitive buffer module” on page 17 chapter for more information.

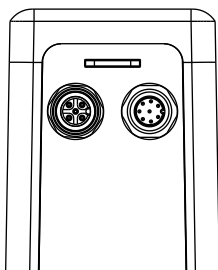


5. Device/Process connections

5.1. Analogue

Note:

For parameterisation and configuration of the positioner and the process controller variants, please use the Bürkert Communicator software tool, [“8.2. Software Bürkert Communicator” on page 17.](#)



Circular connector M12, 8-pin	Pin	Configuration
	1	24 V DC
	2	Power supply GND
	3	Internal use ^{1.)}
	4	Internal use ^{1.)}
	5	Internal use ^{1.)}
	6	Signal input +
	7	Signal output
	8	Signal GND

1.) Only for positioners and process controllers variant, for connection of the parameterization tools: Bürkert Communicator. The connection is via the büS-Stick. Using an adapter cable (M12 8-pin to M12 5-pin) the büS-Stick can be connected, see [“9.5. Ordering chart accessories” on page 19.](#)

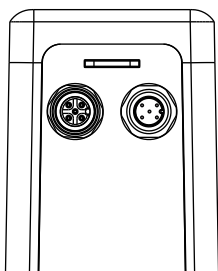
Additional for process controller variant:

Socket M12, 5-pin	Pin	Configuration
	1	24 V DC sensor power supply
	2	Analogue I_N (0...20 mA, 4...20 mA, 0...5 V or 0...10 V)
	3	GND
	4	GND (bridge according to GND pin 3)
	5	Not connected

5.2. Digital (fieldbus)

Note:

For parameterisation and configuration of the positioner and the process controller variants, please use the Bürkert Communicator software tool, [“8.2. Software Bürkert Communicator” on page 17.](#)



Circular connector M12, 5-pin	Pin	Configuration
	1	Shield
	2	24 V DC
	3	GND
	4	CAN high
	5	CAN low

Additional for process controller variant:

Socket M12, 5-pin	Pin	Configuration
	1	24 V DC sensor power supply
	2	Analogue I_N (0...20 mA, 4...20 mA, 0...5 V, 0...10 V or frequency)
	3	GND
	4	GND (bridge according to GND pin 3)
	5	Not connected

6. Performance specifications

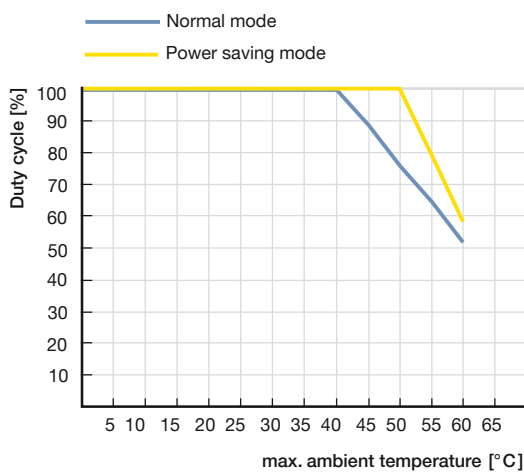
6.1. Duty cycle derating diagram

Note:

- The duty cycle is an important factor for motor valves. The self-heating of the engine limits the maximum duty cycle. High ambient temperatures additionally increase the risk of damage due to overheating. The following diagram shows the recommended maximum duty cycle as a function of the ambient temperature. In energy-saving mode (lower driving force), higher duty cycles are possible. The motor is optimised for the valve function in terms of size, power consumption and costs.
- The duty cycle does not mean the duty cycle of the device but the duty cycle of the motor. This is only switched on when the valve is to move. Frequent set-point value changes drastically increase the duty cycle of the motor.
- Operating the valve outside the recommended duty cycle limits will result in a significantly reduced service life of the valve.

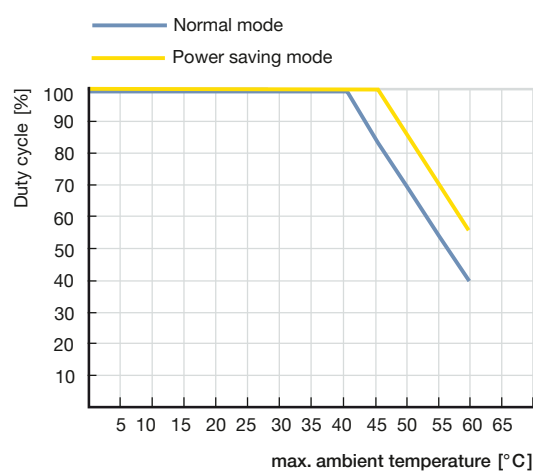
Type 3280

Seat DN1...6 < 6 bar standard



Type 3280

Seat DN1...6 < 6 bar positioner and process controller
 DN8...10 < 6 bar standard
 DN1...10 > 6 bar standard



Derating curve for positioner and process controller DN 8...DN 10: see instruction manual.

DTS 1000240084 EN Version: AD Status: RL (released | freigegeben | validé) printed: 31.08.2023

6.2. Pressure range

Standard variant

Note:

For orders from our standard product range, use the product filter in our eShop (see “9.1. Bürkert eShop” on page 18).

Alternatively, you can use the Product Enquiry Form (see “9.4. Bürkert Product Enquiry Form” on page 19) for information about the device layout and send it to us after completion.

Valve function	Seat size	Port connection	K _{vs} -value	Pressure range
	[mm]		[m ³ /h] ^{1.)}	[bar(g)]
Control valve, without safety position in case of power failure	1	G ¼	0.030	0...6
	1.5	G ¼	0.065	0...6
	2	G ¼	0.130	0...6
	3	G ¼	0.300	0...6
	4	G ⅜	0.500	0...6
	5	G ⅜	0.750	0...6
	6	G ⅜	0.900	0...6
	8	G ½	1.500	0...6
	10	G ½	1.900	0...6

1.) Flow value for water, measurement at +20 °C, 1 bar pressure difference above the fully open valve

High-pressure variant

Note:

- For orders from our standard product range, use the product filter in our eShop (see “9.1. Bürkert eShop” on page 18). Alternatively, you can use the Product Enquiry Form (see “9.4. Bürkert Product Enquiry Form” on page 19) for information about the device layout and send it to us after completion.
- For applications requiring a higher operating pressure, high-pressure variants are available. Please note that for the high-pressure variant, the control in the lower range of the characteristic curve (<5 % of the max. set point) can be impaired.

Valve function	Seat size	Port connection	K _{vs} -value	Pressure range fluid media	Pressure range gaseous media
	[mm]		[m ³ /h] ^{1.)}	[bar(g)]	[bar(g)]
Control valve, without safety position in case of power failure	1	G ¼	0.030	0...15	0...22
	1.5	G ¼	0.065	0...15	0...22
	2	G ⅜	0.130	0...15	0...22
	3	G ⅜	0.300	0...15	0...22
	4	G ⅜	0.500	0...12 ^{2.)}	0...12 ^{2.)}
	5	G ⅜	0.750	0...12 ^{2.)}	0...12 ^{2.)}
	6	G ⅜	0.900	0...15	0...16
	8	G ½	1.500	0...12	0...12
	10	G ½	1.900	0...10	0...10

1.) Flow value for water, measurement at +20 °C, 1 bar pressure difference above the fully open valve

2.) Pressure range 0...12 bar for sealing material FKM, Pressure range 0...15 bar for sealing material EPDM, NBR

Further versions on request

Additional Variant with vent hole: Valve with vent hole to detect wear of the stem seal (optional).	Voltage Variant with connections above the valve inlet: Valve with the electrical connections above the valve inlet (optional)
Temperature Low temperature variant: Suitable for minimum medium temperatures down to -30 °C (sealing material EPDM) (optional)	Pressure Vacuum variant: This variant is suitable up to -0.9 bar(g) (optional)

6.3. Flow characteristic

Determination of the K_V value

Note:

Once the K_V -value required for the application has been calculated, it can be compared with the K_{VS} -values from the ordering chart. The K_{VS} -value must be higher than the K_V -value of the application, but should be neither too high nor too close to it - as a recommendation: 10 % higher.

Pressure drop	K_V value for liquids	K_V value for gases
	[m ³ /h]	[m ³ /h]
Sub-critical $p_2 > \frac{p_1}{2}$	$= Q \sqrt{\frac{\rho}{1000 \Delta p}}$	$= \frac{Q_N}{514} \sqrt{\frac{T_1 \rho_N}{p_2 \Delta p}}$
Supercritical $p_2 < \frac{p_1}{2}$	$= Q \sqrt{\frac{\rho}{1000 \Delta p}}$	$= \frac{Q_N}{257 p_1} \sqrt{T_1 \rho_N}$

K_V Flow coefficient	[m ³ /h] ¹⁾
Q_N Standard flow rate	[m ³ /h] ²⁾
p_1 Inlet pressure	[bar] ³⁾
p_2 Outlet pressure	[bar] ³⁾
Δp Differential pressure $p_1 \dots p_2$	[bar]
ρ Density	[kg/m ³]
ρ_N Standard density	[kg/m ³]
T_1 Medium temperature	[(273+t)K]

- 1.) Measured for water, $\Delta p = 1$ bar
- 2.) At reference conditions 1.013 bar and 0 °C (273 K)
- 3.) Absolute pressure

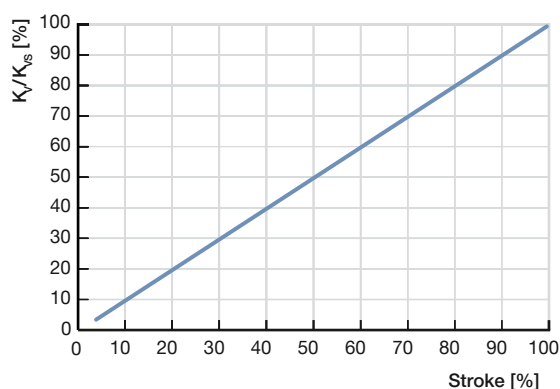
Exemplary characteristic curve of the motor valve

Note:

The design of the seat size is very important for the proper functioning of electromotive proportional valves within the application. The seat size must be selected in such a way that, on the one hand, the desired flow range is achieved and, on the other hand, when the valve is fully open, a sufficient part of the total pressure drop takes place via the valve.

Reference value:

$\Delta p_{\text{valve}} > 25\%$ of the total pressure drop - otherwise, an ideal, linear valve characteristic is deformed into a curved system characteristic.



Linear flow characteristic - the K_{VS} values of the respective seat sizes can be found in chapter "6.2. Pressure range" on page 14.

7. Product operation

Standard on/off valve

In the ON / OFF variant, an external voltage signal is digitized and the valve is closed or opened. The status of the two end positions of the valve are indicated on the LED. In addition, the valve position “closed” is reached via the digital output.

Standard control valve

The standard proportional valve converts an external standard signal (position set-point value) into a valve position. Both valve end positions are indicated by the LED status. Additionally, the digital output indicates when the “closed” valve position has been achieved.

Process diagram	Description
	<p>Positioner variant The positioner proportional valve converts an external standard signal (position set-point value) into a valve position. The position of the actuator is controlled according to the position set-point value. The current position (POS) of the electromotive valve is recorded by the position measuring system. The position controller compares this position actual value to the set-point value (CMD) specified as the standard signal. In case of a control difference (Xd1), the motor control signal is sent to the actuating drive as the actuating variable. Z1 is a disturbance value. Both valve end positions are indicated by the LED status. Moreover, the position actual value recorded using the position measuring system is output via the M12 circular plug-in connector.</p>
	<p>Process controller variant The additionally implemented PID controller can perform not only the actual position control but also a process control in the sense of a cascade control. The process controller is integrated in a control circuit. The position set-point value of the valve is calculated from the process set-point value and the process actual value using the control parameters (PID controller). The process set-point value can be specified by an external signal. During the process control the position control mentioned above becomes the subordinate auxiliary control circuit; this results in a cascade control. The process controller in the main control circuit has a PID function. The process set-point value (SP) is specified as a set-point value and is compared with the actual value (PV) of the process variable to be controlled. The position measuring system records the current position (POS) of the electromotive linear actuator. This position actual value is compared by the position controller with the set-point value (CMD) specified by the process controller. If there is a control difference (Xd2), the actual position (POS) and therefore the valve opening are changed by the control variable (CTRL). Z2 represents a disturbance variable.</p>

DTS 1000240084 EN Version: AD Status: RL (released | freigegeben | valide) printed: 31.08.2023

8. Product accessories

8.1. Accessories capacitive buffer module

Note:

- Dimensions see “4.4. Capacitive buffer module” on page 11.
- Ordering information see “Standard accessories” on page 19.

Accessories	Description
<p>Motor valve(s) connection</p> <p>24 V DC power supply For example: Single phase, primary switched mode power supply Type 1573</p>	<ul style="list-style-type: none"> • Capacitive buffer module for moving to a safety position in case of power failure • In order to be able to move to a safety position of the valve in the event of a power failure, the valve must be supplied with voltage via the capacitive buffer module. In the event of a power failure, the buffer module provides an output voltage of 18 V DC for a few seconds. The reduced input voltage is detected by the valve and the safety position is approached accordingly. Up to 3 valves of Type 3280 or 2 valves of Type 3281 and Type 3285 can be connected to a buffer module. Factory setting of the safety position: “valve closed” • For standard variant (functionality available as of software version A.08): adjustable via DIP switches (for the reverse operating direction, the safety position changes to “valve open”. • For positioner and process controller variant (functionality available as of software version A.06): adjustable via Bürkert Communicator (user-defined safety position)

8.2. Software Bürkert Communicator

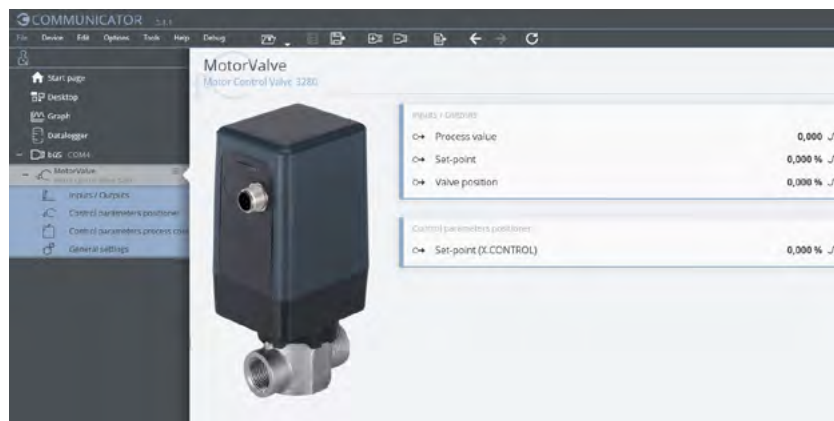
Note:

- An adjustment of the valve by the Bürkert Communicator is only possible with the positioner or process controller variants.
- To install the software, click [here](#) ▶.

The Bürkert Communicator is the most important software component of the ‚Efficient Device Integration Platform‘ (EDIP). Various features of this universal tool simplify the configuration and parameterization of devices equipped with a digital CANopen based interface. With this tool the user has a complete overview of cyclic process values as well as acyclic diagnosis data. The integrated graphical programming environment enables the creation of decentralized sub-system control functions. The connection to the PC is established with a USB-CAN adapter. This is available as an accessory (see “9.5. Ordering chart accessories” on page 19).

The Communicator enables:

- Configuration, parameterisation and diagnosis of EDIP devices / networks
- Easy and comfortable mapping of cyclic values
- Graphical display of process values
- Firmware update for the connected EDIP devices
- Backup and restoring of device configurations



Connection Type 3280 with Bürkert Communicator software

The interface to the “Bürkert Communicator” software tool is based on CANopen. A corresponding bus termination is mandatory. For variants with standard signal interfaces, please activate the switchable terminating resistor on the büS stick. For variants with büS / CANopen communication interface, this terminating resistor should not be switched on if the device is already integrated in a properly terminated bus network.

- A büS stick is required to connect the motor valve to the “Bürkert Communicator” software tool. The büS stick sets contain the necessary accessories.
- Variants with büS / CANopen communication interface are connected directly via the 5-pin M12 plug (büS stick set 1 contains the necessary accessories).
- Variants with standard signal interfaces are connected via the 8-pin M12 plug on the device (büS stick set 1 + büS adapter; socket 8-pin M12 to plug 5-pin M12 contain the necessary accessories).

9. Ordering information

9.1. Bürkert eShop



Bürkert eShop – Easy ordering and quick delivery

You want to find your desired Bürkert product or spare part quickly and order directly? Our online shop is available for you 24/7. Sign up and enjoy all the benefits.

[Order online now](#)

9.2. Recommendation regarding product selection

Note:

- The configuration of the seat size is very important for proportional valves to ensure proper functioning within the application. The seat size must be selected in such a way that on the one hand the desired flow range is achieved and on the other hand a sufficient part of the total pressure drop across the valve takes place when the valve is fully open.
- Reference value: pressure drop of the valve > 25 % of the total pressure drop
- Let Bürkert engineers advise you already in the planning phase!

9.3. Bürkert product filter

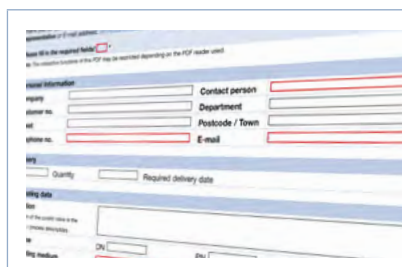


Bürkert product filter – Get quickly to the right product

You want to select products comfortably based on your technical requirements? Use the Bürkert product filter and find suitable articles for your application quickly and easily.

[Try out our product filter](#)

9.4. Bürkert Product Enquiry Form








Bürkert Product Enquiry Form – Your enquiry quickly and compactly

Would you like to make a specific product enquiry based on your technical requirements? Use our Product Enquiry Form for this purpose. There you will find all the relevant information for your Bürkert contact. This will enable us to provide you with the best possible advice.




[Fill out the form now](#)

9.5. Ordering chart accessories

Standard accessories


Description	Article no.
Power supply Type 1573 for rail mounting, 100...240 V AC / 24 V DC, 1.25 A, NEC Class 2 (UL 1310)	772438 
Power supply Type 1573 for rail mounting, 100...240 V AC / 24 V DC, 1 A	772361 
Power supply Type 1573 for rail mounting, 100...240 V AC / 24 V DC, 2 A	772362 
Power supply Type 1573 for rail mounting, 100...240 V AC / 24 V DC, 4 A	772363 
Buffer module Type 1573 for safety position when power failure	773440 


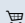
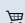

Accessories cable

Description	Article no.
Connection cable M12 socket, 8-pin, 2 m ready-made cable for input and output signals (for analogue variant)	919061 
Connection cable M12 socket, 8-pin, 2 m ready-made shielded cable for input and output signals (for analogue variant)	918991 
Connection cable M12 plug, 5-pin, 2 m ready-made shielded cable for actual process value input signals (only for variant with analogue/digital process controller)	559177 

Bürkert accessories

Note:

- For connection to a bus/CANopen network see **cabling guide** . Detailed accessory tables can be found in the wiring guide
- Can only be used with positioner and process controller variant.

Description	Article no.
Software Bürkert Communicator, Type 8920	LINK 
büS adapter; socket 8-pin M12 to plug 5-pin M12 (for büS stick connection)	773286 
büS stick set 1 (including power supply unit, büS stick, terminating resistor, Y-distributor, cable)	772426 
büS stick set 2 (including büS stick, terminating resistor, Y-distributor, cable)	772551 

Bürkert – Close to You

For up-to-date addresses
please visit us at
www.burkert.com

DTS 1000240084 EN Version: AD Status: RL (released | freigegeben | validé) printed: 31.08.2023

Austria
Belgium
Czech Republic
Denmark
Finland
France
Germany
Italy
Netherlands

Norway
Poland
Spain
Sweden
Switzerland
Turkey
United Kingdom

