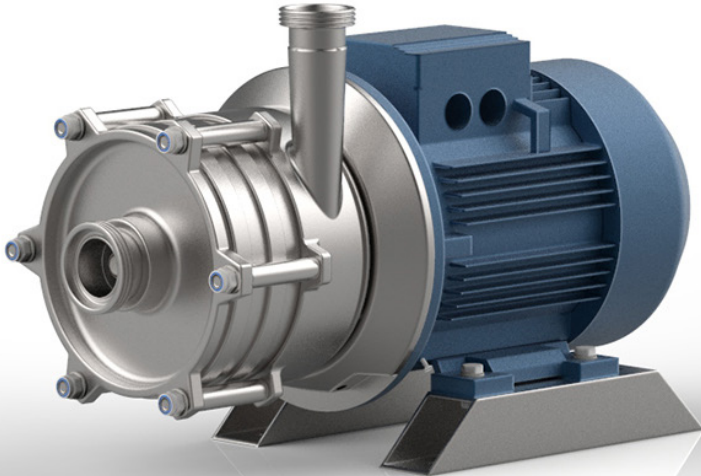




MULTISTAGE CENTRIFUGAL PUMPS

CV series



Horizontal multistage CV 51÷83 pumps

Suitable for industrial or foodstuffs applications where 316 stainless is necessary, but without any particular cleaning or sterility requirements. These remarkably sturdy and cost effective pumps are perfect for applications where hygiene is of low importance. The closed impellers are not able to handle products which contain solids or highly viscous liquids. Widely used in cleaning & washing systems, fluid filtration, general transfer, feeding, water treatment.

Multistage centrifugal pumps with closed impeller for medium and high heads. Closed coupled design with closed impellers, directly mounted on to the motor shaft. Setting up in horizontal and vertical way for every requirement of installation. Industrial construction with motor shroud and adjustable feet on request. Wetted parts in CF-8M 1.4408 / AISI 316 stainless steel, investment cast and electro-chemically polished. ATEX-compliant versions also available on request.



Multistage CV 11....18 pumps vertical exec.

TECHNICAL DATA

Flow rates up to 40 m³/h
Heads up to 140 mH₂O.
Design pressure 16 bar
Temperature range: -10°C + +120°C

Seals:

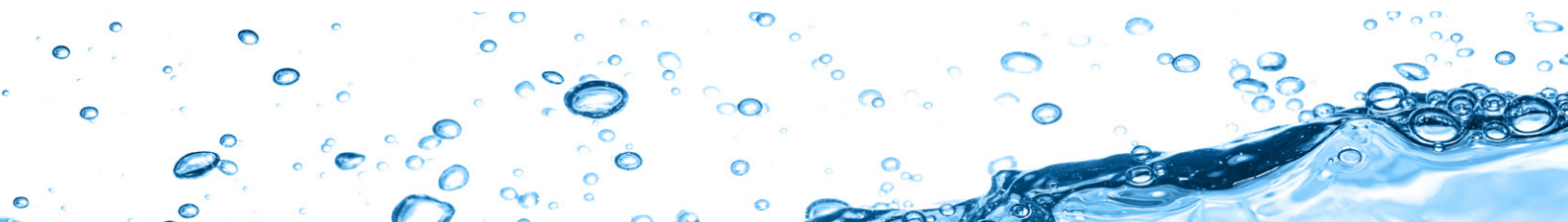
Mechanical seals standardized to EN 12756, ISO 3069 standards
Single internal mechanical seal

Seal materials (FDA and Regulation (EC) No. 1935/2004):

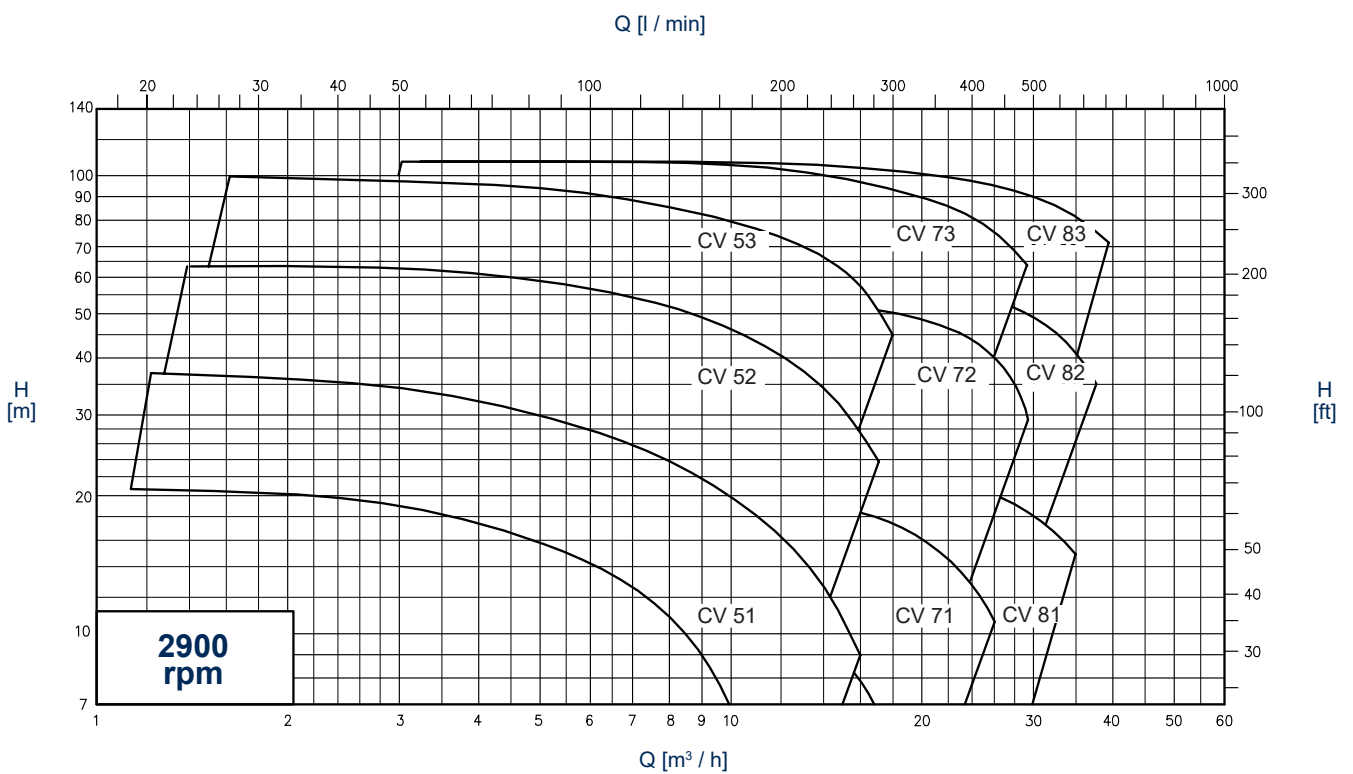
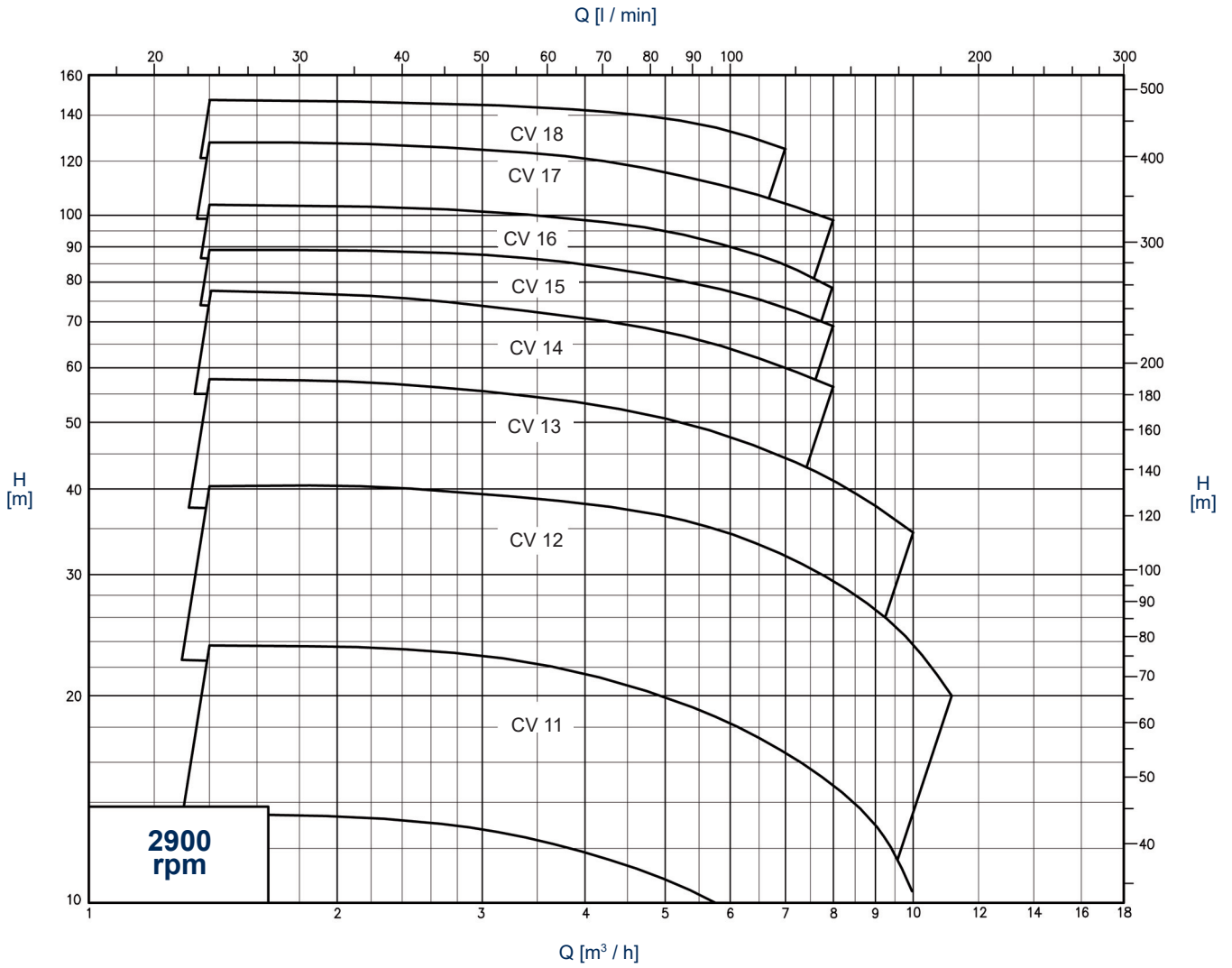
Ethylene propylene (EPDM)
Fluorocarbon (FPM-FKM)
Silicone
NBR

Connections:

DIN - SMS - IDF - BS / RJT - DS - CLAMP and EN 1092-1 PN 16 flanges suitable for all international standards.

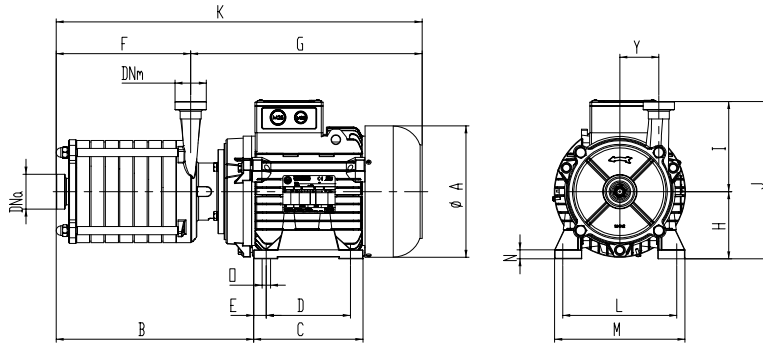


GENERAL DIAGRAMS
 (Performance applies to H₂O at 20 °C, 1013 mbar, Data not binding)

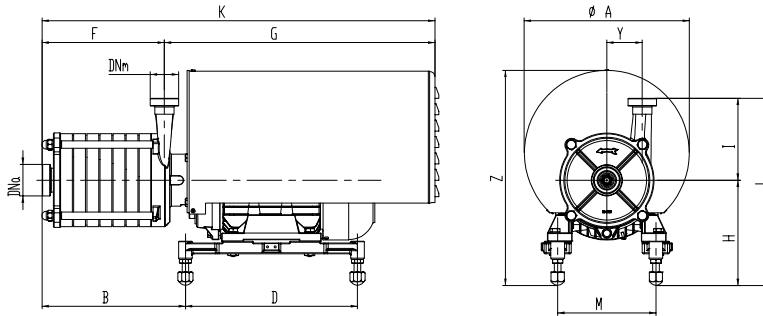


OVERALL DIMENSIONS

Dimensions not binding - DN = DIN 11851 male threaded connections

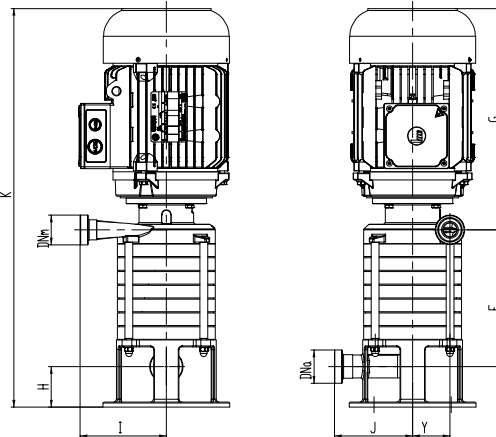
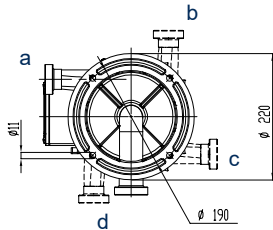


Pump type	kW	DNa	DNm	ØA	B	C	D	E	F	G	K	H	J	I	L	M	N	O	Y
CV 11	1,1	32	25	178	153	155	100	15	56	318,5	374,5	90	240	150	140	158	13	10	65
CV 12	1,5	32	25	178	177	155	100	15	80	318,5	398,5	90	240	150	140	158	13	10	65
CV 13	2,2	32	25	178	201	155	125	15	104	343,5	447,5	90	240	150	140	158	13	10	65
CV 13	3	32	25	194	210	164	140	12	104	373,5	477,5	100	250	150	159	193	13	12	65
CV 14	3	32	25	194	234	164	140	12	128	373,5	501,5	100	250	150	159	193	13	12	65
CV 15	4	32	25	194	258	164	140	12	152	373,5	525,5	100	250	150	159	193	13	12	65
CV 15	5,5	32	25	219	257	182	140	21	152	385	537	112	262	150	190	217	15	14	65
CV 16	4	32	25	194	282	164	140	12	176	373,5	549,5	100	250	150	159	193	13	12	65
CV 16	5,5	32	25	219	281	182	140	21	176	385,5	561,5	112	262	150	190	217	15	14	65
CV 17	5,5	32	25	219	305	182	140	21	200	385,5	585,5	112	262	150	190	217	15	14	65
CV 18	5,5	32	25	219	329	182	140	21	224	385,5	609,5	112	262	150	190	217	15	14	65

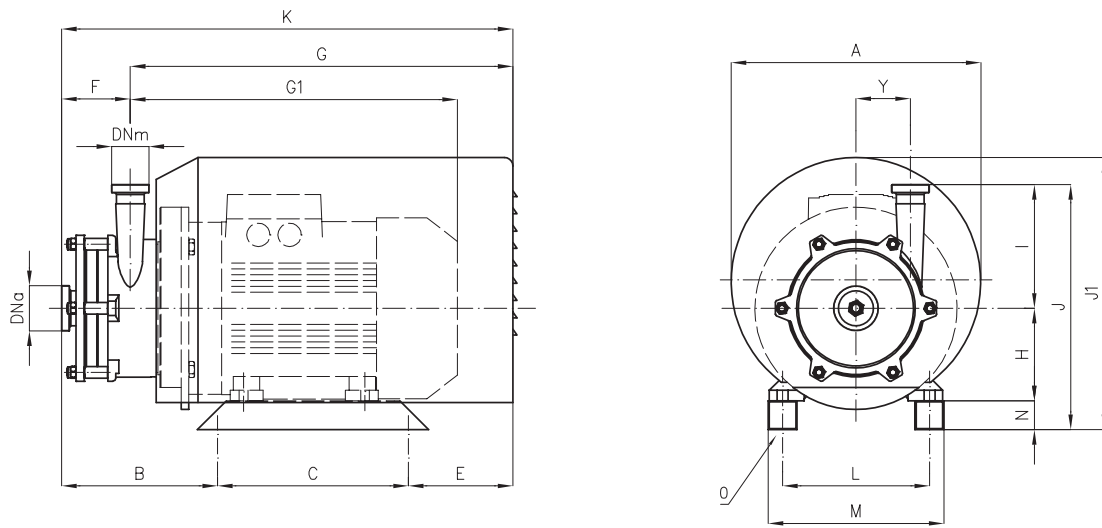


Pump type	kW	DNa	DNm	ØA	B	D	F	G	H	I	K	J	M	Y	Z
CV 11	1,1	32	25	240	95,5	270	56	392,5	178	150	448,5	328	140	65	326
CV 12	1,5	32	25	240	119,5	270	80	392,5	178	150	472,5	328	140	65	326
CV 13	2,2	32	25	240	143,5	270	104	392,5	178	150	496,5	328	140	65	326
CV 13	3	32	25	302,5	149,5	285	104	495,5	188	150	599,5	338	149	65	389
CV 14	3	32	25	302,5	173,5	285	128	495,5	188	150	623,5	338	149	65	389
CV 15	4	32	25	302,5	197,5	285	152	495,5	188	150	647,5	338	149	65	389
CV 15	5,5	32	25	302,5	190,5	315	152	495,5	193	150	647,5	343	180	65	394
CV 16	4	32	25	302,5	221,5	285	176	495,5	188	150	671,5	338	149	65	389
CV 16	5,5	32	25	302,5	214,5	315	176	495,5	193	150	671,5	343	180	65	394
CV 17	5,5	32	25	302,5	238,5	315	200	495,5	193	150	695,5	343	180	65	394
CV 18	5,5	32	25	302,5	262,5	315	224	495,5	193	150	719,5	343	180	65	394

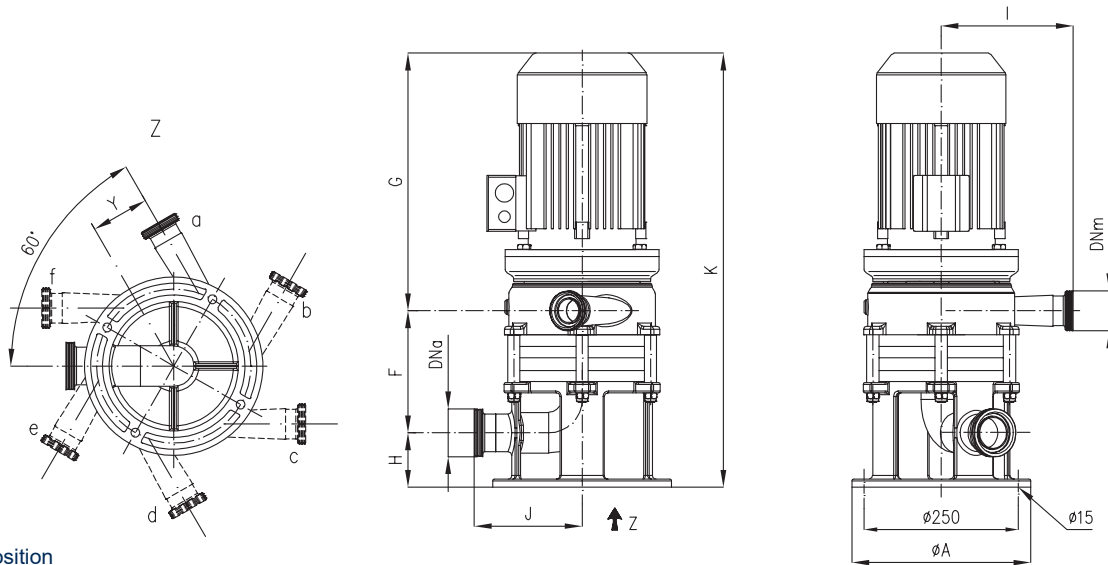
Outlet port position
ref. a = standard exec.
ref. b-c-d = exec. on request



Pump type	kW	DNa	DNm	F	G	H	I	J	K	Y
CV 11 V	1,1	32	25	69,5	318,5	70,5	150	136	458,5	65
CV 12 V	1,5	32	25	93,5	318,5	70,5	150	136	482,5	65
CV 13 V	2,2	32	25	117,5	343,5	70,5	150	136	531,5	65
CV 13 V		32	25	117,5	373,5	70,5	150	136	561,5	65
CV 14 V	3	32	25	141,5	373,5	70,5	150	136	585,5	65
CV 15 V	4	32	25	165,5	373,5	70,5	150	136	609,5	65
CV 15 V	4	32	25	165,5	385	70,5	150	136	621	65
CV 16 V	5,5	32	25	189,5	373,5	70,5	150	136	633,5	65
CV 16 V	5,5	32	25	189,5	385	70,5	150	136	645	65
CV 17 V		32	25	213,5	385	70,5	150	136	669	65
CV 18 V		32	25	237,5	385	70,5	150	136	693	65



Pump type	kW	DNa	DNm	ØA	B	C	E	F	G	G1	H	I	J	J1	K	L	M	N	O	Y
CV 51	2,2	50	40	298	186,5	200	107,5	80	414	378	90	214	344	294	494	140	180	40	10	94
CV 52	4	50	40	330	232	230	141	119	484	403	100	214	364	355	603	160	210	50	12	94
CV 53	7,5	50	40	372	271	230	141	158	484	418	112	214	376	367	642	190	240	50	12	94
CV 71	4	50	40	330	193	230	141	80	484	403	100	214	364	355	564	160	210	50	12	94
CV 72	7,5	50	40	372	232	230	141	119	484	418	112	214	376	367	603	190	240	50	12	94
CV 73	11	50	40	372	287	266	132	158	527	469	132	214	406	415	685	216	276	60	12	94
CV 81	5,5	65	40	330	198	230	141	85	484	418	112	214	376	367	569	190	240	50	12	94
CV 82	11	65	40	372	253	266	132	124	527	469	132	214	406	415	651	216	276	60	12	94
CV 83	18,5	65	40	372	292	266	187	163	582	524	132	214	406	415	745	216	276	60	12	94



Outlet port position
 ref. a = standard exec.
 ref. b-c-d-e-f = exec. on request

Pump type	kW	DNa	DNm	ØA	F	G	H	I	J	K	Y
CV 51 V	2,2	50	40	290	120	378	88	214	175	586	94
CV 52 V	4	50	40	290	159	403	88	214	175	650	94
CV 53 V	7,5	50	40	290	198	418	88	214	175	704	94
CV 71 V	4	50	40	290	120	403	88	214	175	611	94
CV 72 V	7,5	50	40	290	159	418	88	214	175	665	94
CV 73 V	11	50	40	290	198	511	88	214	175	797	94
CV 81 V	-	-	-	-	-	-	-	-	-	-	-
CV 82 V	-	-	-	-	-	-	-	-	-	-	-
CV 83 V	-	-	-	-	-	-	-	-	-	-	-



C.S.F. Inox S.p.A. Strada per Bibbiano, 7 - 42027 Montecchio E. (RE) - ITALY EU

Ph +39.0522.869911 r.a. - Fx +39.0522.865454 - italia@csf.it - www.csf.it

Export Department • Commercial Étranger • Comercial Extranjero

Ph +39.0522.869922 - Fx +39.0522.869841 - export@csf.it - www.csf.it



All the instructions, data and representations (in whatever way executed) listed in this publication are indicative and do not binding. C.S.F. does not stand surety or undertake any obligation for the utilisation of this document and for the information contained. In particular, it does not guarantee against omissions or errors of the data and drawings here indicated. Notice that the technical specifications, information and representations in this document are merely indicative and approximate. C.S.F. INOX reserves the right at any moment and without notice to modify the data, drawings and information indicated in this document.