



BIMETALLIC THERMOMETER

(MOD. TBA)

Analogic thermometer



Bimetallic thermometers have been designed for temperature measurement. Thermometers are built with a sensing element with nitrogen or bimetallic expansion. Sensitive bulbs are normally protected with a removable tube in the most suitable material. The sectors of greatest use are the food industry (wine / milk / oil / juice storage tanks, industrial beer / milk plants), pharmaceutical and chemical industries.

TECHNICAL FEATURES:

Measurement range: -30 + 50, -10 + 50, 0-60., 0-100, -10 + 110.0-120 0-160.0-200.0-250° C.

Dial: white with black writing; negative values in red Ø 80 - 100 -150 mm.

Index: in black aluminum

Case and ring: Ø 80-100-150 mm, ring with bayonet closure with stainless steel AISI 304 sealing gasket

Bulb diameter: Ø 8 mm.

Bulb length: on request

Sensitive thermometric element: cylindrical bimetallic spiral

Limit: do not exceed 75% of the full scale value and / or the extreme value of the scale for temperatures below 0 ° C.

Overtemperature: 30% of the full scale value

Adjustment device: external adjustment screw (behind the case)

Mounting: radial / back / swivel

Process connection: smooth or with sliding fitting or complete with removable 1/2 "GAS or sanitary DIN 11851 DN 25-40-50, CLAMP 1 1/2" 2 ", SMS, IDF.

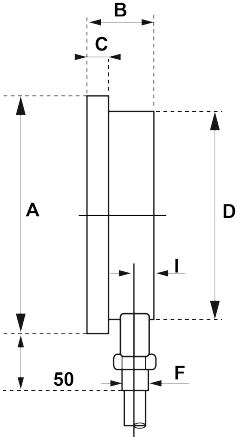
Amplifier movement: in stainless steel

Degree of protection: IP 65 (Atex), IP 55 (not Atex)

Accuracy: 1% of full scale value (according to EN 13190)

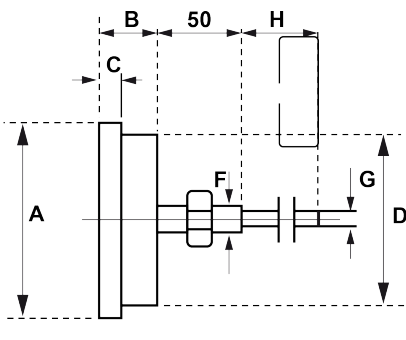


ASSEMBLY (With connection to the smooth process):



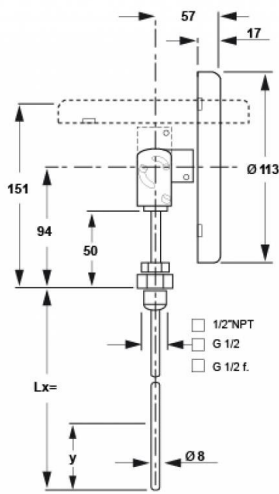
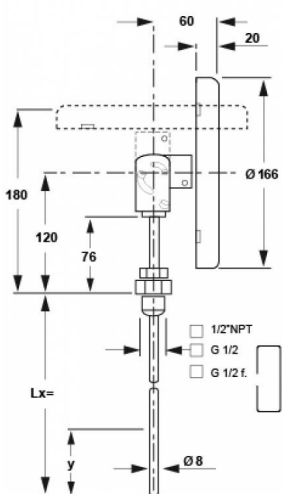
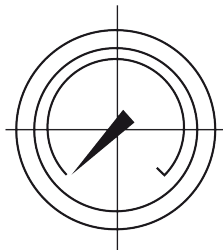
Attacco radiale fisso

Radial



Attacco posteriore fisso

Back



Swivel





TIPO PER MONTAGGIO LOCALE									
Ø	A	B	C	D	E	F	G	H	I
100	130	50	18	110	100	1/2"G	12	*	18
250	175	50	18	155	100	1/2"G	12	*	18

*a richiesta

TIPO PER MONTAGGIO A QUADRO										
Ø	A	B	C	D	E	F	G	H	I	L
100	130	50	18	110	25	21	40	125	112	6
150	175	50	18	155	25	21	45	170	157	6

Per l'ordinazione precisare: scala; tipo della custodia e diametro del quadrante; lunghezza del capillare e del bulbo; eventuale compensazione; materiale a contatto col fluido, materiale del movimento.

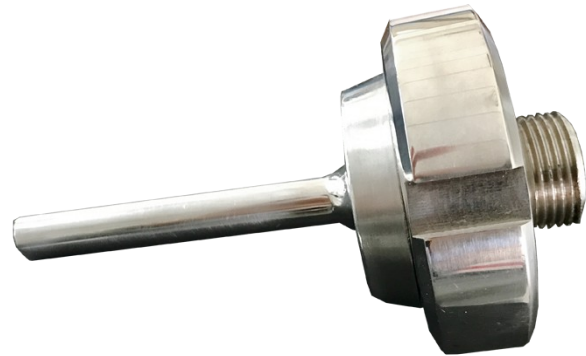
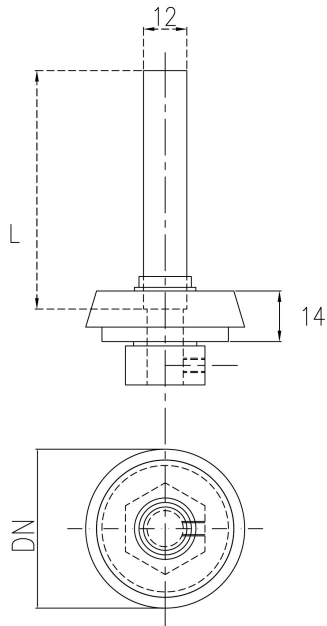
CONNECTIONS TO THE PROCESS:

Theoretically it is possible to use a bimetallic thermometer without the aid of a thermowell exclusively where the operating pressure is low, the viscosity and the sliding speed are low. However, in order to replace the instrument during operation and to guarantee a long life span and to ensure better protection of the thermometer, the system and the environment, it is advisable to use a thermowell between the models available in the SABA range .

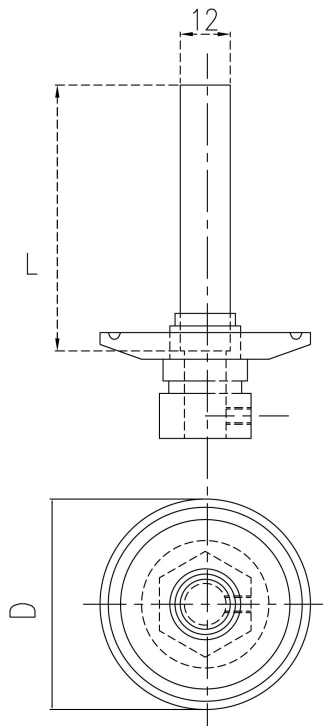


**POCKET TREAD
1/2" GAS**





THERMOWELL DIN 11851 DN
DN: 15 – 25 – 40 – 50



THERMOWELL CLAMP
D: 1 1/2" – 2" – 2 1/2"

Certificates:

- Declaration of conformity
- Certification of materials
- MOCA certification (material objects in contact with food – on request)
- Pressure gauge certification: ATEX (on request)
- Thermometer calibration certificate (list of measured single values; 5 measurement points)

Order information:

Model / Case Diameter / Range Scale // Stem Size / Process Attachment / Parts / Certificates