



POMc+CF



## TECHNICAL DATA

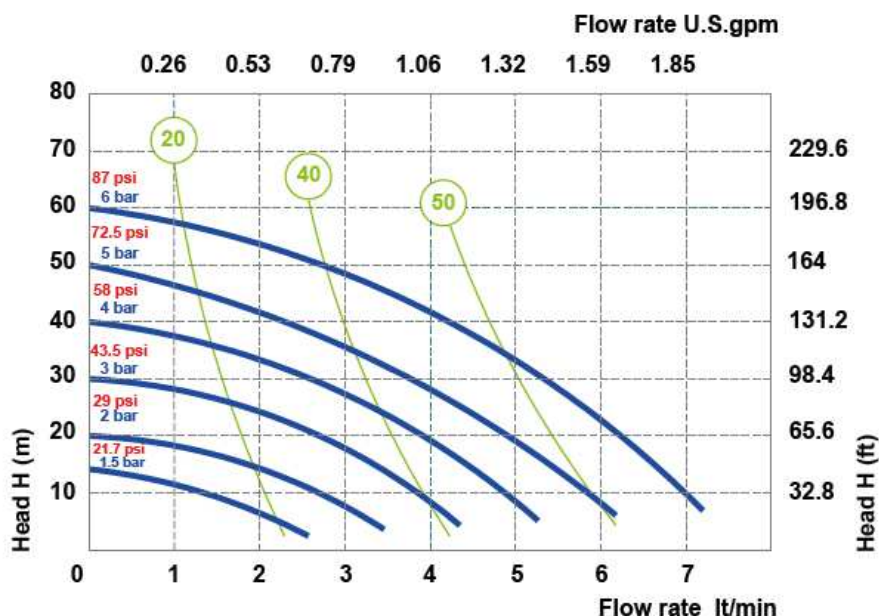
|                          |           |
|--------------------------|-----------|
| Fluid connections        | 1/4" BSP  |
| Air connection           | 4 mm      |
| Max. Flow rate           | 7 lt/min  |
| Max air pressure         | 6 bar     |
| Max delivery head        | 60 m      |
| Max Suction Lift Dry     | 3 m       |
| Max Suction Lift Wet     | 9,8 m     |
| Max Solid passing        | 2 mm      |
| Noise level:             | 62 dB     |
| Max Viscosity:           | 5.000 cps |
| Displacement per Stroke: | 18 CC ~   |

Ex II 2/2 GD c IIB T 135°C

Displacement per stroke may vary based on suction condition, discharge head, air pressure and fluid type.

| WEIGHT  | TEMPERATURE |       |
|---------|-------------|-------|
| 0,84 KG | -5°C        | +80°C |

## PERFORMANCE



The curves and performance values refer to pumps with submerged suction and free delivery outlet, with water at 20°C. These data may vary according to the construction materials and hydraulic conditions.



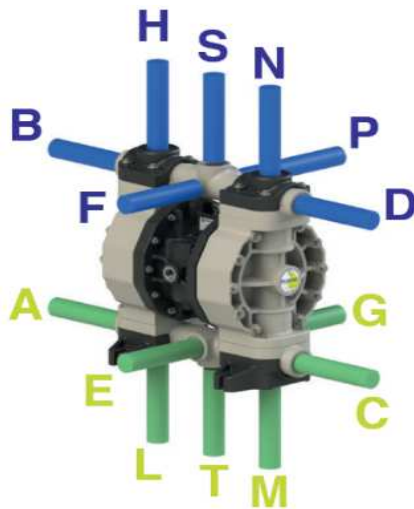
FLUIMAC S.r.l. - Via Ticino 2/4 - 21043 - Castiglione Olona - VA - ITALY  
 info@fluimac.com - www.fluimac.com  
 tel. +39 0331 866688 - Fax +39 0331 864870  
 P.I./VAT 03259160129





## COMPOSITION

| MODEL | CASING       | DIAPHRAGM     | BALLS              | SEATS    | GASKET                                       | CONNECTIONS        | ATEX       | PORTS         |
|-------|--------------|---------------|--------------------|----------|--|--------------------|------------|---------------|
| PO007 | OC = POMc+CF | NT = NBR+PTFE | T = PTFE<br>S = SS | O = POMc | D = EPDM<br>V = VITON<br>N = NBR<br>T = PTFE | I = BSP<br>S = NPT | X = ZONE I | AB = STANDARD |



## AVAILABLE CONNECTIONS

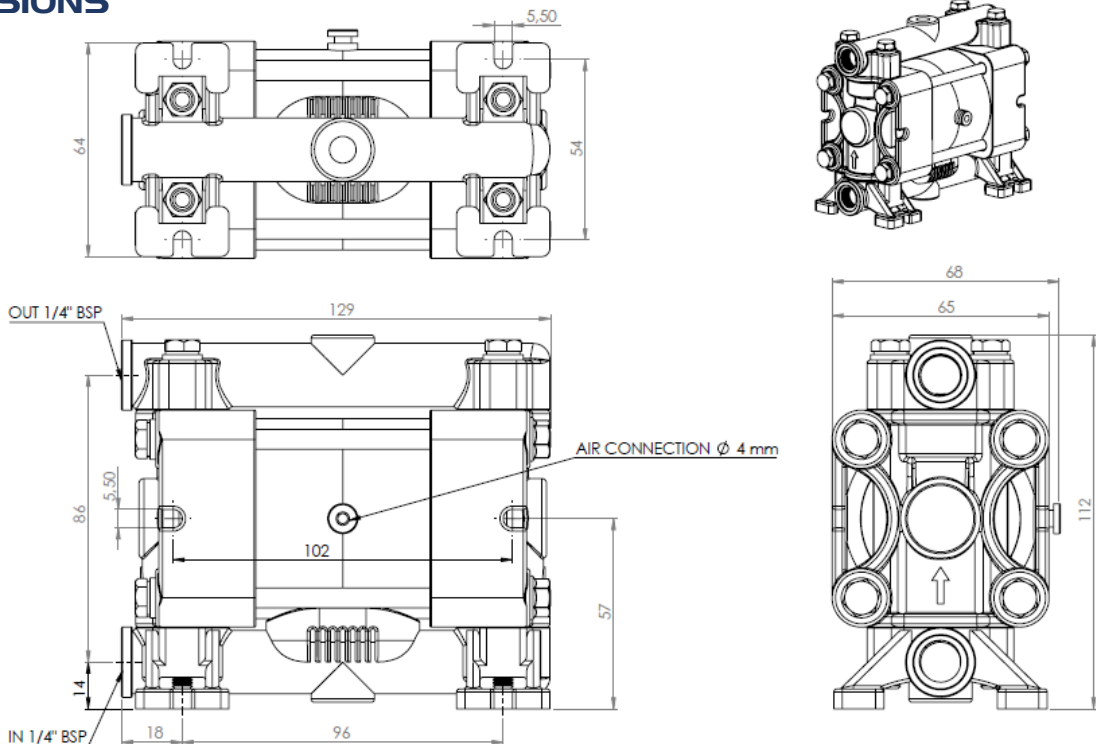
**DELIVERY: B-D-S**

**SUCTION: A-C-T**

## PACKING DIMENSION

CARTON BOX: 17 x 21 x 11 cm

## DIMENSIONS



Technical data are approximate and not binding for the manufacturer who reserves the right to change them without notice at any time.



FLUIMAC S.r.l. - Via Ticino 2/4 - 21043 - Castiglione Olona - VA - ITALY  
[info@fluimac.com](mailto:info@fluimac.com) - [www.fluimac.com](http://www.fluimac.com)  
 tel. +39 0331 866688 - Fax +39 0331 864870  
 P.I./VAT 03259160129

