



T-diaphragm valve with manually operated actuator

- Valve body and diaphragm are available in various materials and variants
- Product wetted surfaces in $Ra \leq 0.38 \mu\text{m} \dots 1.6 \mu\text{m}$ (optionally electropolished)
- Available in all common connection sizes and variants

Product variants described in the data sheet may differ from the product presentation and description.

Can be combined with

	Type 2933 2/2-way diaphragm valve with manually operated actuator	▶
	Type 2935 Tank bottom diaphragm valve with manually operated actuator	▶
	Type 2031 2/2-way diaphragm valve with pneumatic plastic actuator (Type CLASSIC)	▶
	Type 2034 Multifunction block and weld solution	▶
	Type 2103 2/2-way diaphragm valve with pneumatic stainless steel actuator (Type ELEMENT) for decentralised automation	▶
	Type 2063 2/2-way diaphragm valve with pneumatic actuator in stainless steel (Type INOX)	▶

Type description

The Type 2934 manually operated diaphragm valve consists of a manually operated actuator, a diaphragm and a T-valve body. The manual actuator with plastic handwheel ensures use in hygienic or aggressive ambient conditions. The flow-optimised valve body with minimum dead space enables high flow rates and a wide range of possible applications. The valve body and the diaphragm are available in all common materials and variants. The actuator has a compact, autoclavable design and is compatible with all other Bürkert diaphragm valves. An explosion-proof ATEX/IECEx device variant is available. The manual actuator is equipped with an integrated visual position indicator, a reproducible stroke scale and an adjustable closing limiter.

As an option, the manual actuator can be equipped with proximity switches for position feedback.

Table of contents

1. General technical data	3
2. Approvals	4
3. Materials	4
3.1. Bürkert resistApp	4
3.2. Material specifications	5
3.3. Example of available diaphragm materials	5
4. Dimensions	6
4.1. Manual actuator	6
Diaphragm size 8...25	6
Diaphragm size 32...50	7
4.2. T-Body with welded connection	8
4.3. T-Body with clamp connection	12
5. Performance specifications	13
5.1. Medium pressure	13
6. Ordering information	13
6.1. Bürkert eShop	13
6.2. Bürkert product filter	13
6.3. Bürkert Product Enquiry Form	13

1. General technical data

Product properties	
Dimensions	Further information can be found in chapter "4. Dimensions" on page 6.
Material^{1.)}	
Block body (VH) ^{1.)}	Stainless steel 1.4435/316 L
Block body (VI) ^{1.)}	Stainless steel 1.4435/BN2/ASME BPE, Fe <0.5 %/C ≤0.03 %
Diaphragm	EPDM (AD) ^{1.)} , PTFE/EPDM (EA) ^{1.)} , advanced PTFE/EPDM (EU) ^{1.)} , GYLON@/laminated EPDM (ER) ^{1.)}
Actuator (bonnet/handwheel)	Stainless steel/PPS
Diaphragm size	8...50 (65...100 see Type 3234 ▶)
Standard surface quality^{2.)}	
Block body (VH/VI) ^{1.)}	Internal electrically polished: Ra ≤0.38 µm (NO17) ^{1.)} (ASME BPE SF4/DIN HE4) (external: Ra ≤1.6 µm) Internal mechanically polished: Ra ≤0.5 µm (NO14) ^{1.)} (ASME BPE SF1) (external: Ra ≤1.6 µm)
Medium data	
Operating medium	Neutral gases and fluids, highly purified, sterile, aggressive or abrasive medium (see resistance chart ▶)
Medium temperature	
EPDM (AD) ^{1.)}	-10...+143 °C (steam sterilization +150 °C for 60 min)
PTFE/EPDM (EA) ^{1.)}	-10...+130 °C (steam sterilization +140 °C for 60 min)
advanced PTFE/EPDM (EU) ^{1.)}	-5...+143 °C (steam sterilization +150 °C for 60 min)
GYLON@/laminated EPDM (ER) ^{1.)}	-5...+130 °C (steam sterilization +140 °C for 60 min)
Process/Port connection & communication	
Nominal diameter	DN 06...DN 100 (1/8" ...4")
Port connection^{2.)} for stainless steel body^{2.)}	
Welded connection ^{2.)}	DIN EN ISO 1127/ISO 4200/DIN 11866 series B DIN 11850 series 2/DIN 11866 series A/DIN EN 10357 series A ASME BPE/DIN 11866 series C
Clamp connection ^{2.)}	DIN 32676 series A (DIN pipe) DIN 32676 series B (ISO pipe) ASME BPE
Environment and installation	
Installation position	See operating instructions Type 2934 ▶
Ambient temperature: actuator (bonnet/handwheel)	
Stainless steel/PPS	-10...+130 °C (short-term up to +150 °C), autoclavable




1.) This information is part of the product key (see "6.3. Bürkert Product Enquiry Form" on page 13).

2.) Further versions on request

2. Approvals

Note:

If you need one of these certificates, please contact your Bürkert sales company.

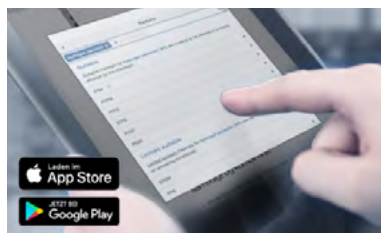
Approvals/ Conformity/ Certificatee ^{1.)}	Description
	ATEX/IECEX^{2.)} EPS 18 ATEX 2 008 X II 2G Ex h IIC T4 Gb/II 2D Ex h IIIC T135 °C Db IECEX EPS 18.0007X Ex h IIC T4 Gb/Ex h IIIC T135 °C Db
	Diaphragms made of EPDM (AD), PTFE/EPDM (EA), advanced PTFE/EPDM (EU) and GYLON®/EPDM laminated (ER) are suitable for use with food and beverages (acc. to EC Regulation 1935/2004/EC).
	Diaphragms made of EPDM (AD), PTFE/EPDM (EA), advanced PTFE/EPDM (EU) and GYLON®/EPDM laminated (ER) are according to USP Class VI tested.
FDA	Diaphragms made of EPDM (AD), PTFE/EPDM (EA), advanced PTFE/EPDM (EU) and GYLON®/EPDM laminated (ER) comply with the Code of Federal Regulations published by the FDA (Food and Drug Administration, USA).

1.) Further approvals/conformity clarification on request

2.) Only in combination with variable code "PX51" (see "6.3. Bürkert Product Enquiry Form" on page 13)

3. Materials

3.1. Bürkert resistApp



Bürkert resistApp – Chemical resistance chart

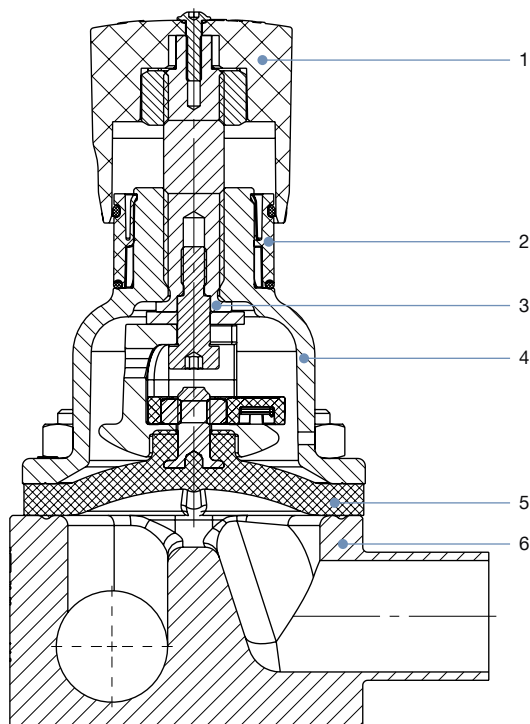
You want to ensure the reliability and durability of the materials in your individual application case? Verify your combination of media and materials on our website or in our resistApp.

[Start chemical resistance check](#)

3.2. Material specifications

Note:

Your product variant may differ from this illustration depending on the housing and interface options.



No.	Element	Material
1	Handwheel	Polyphenylene sulphide (PPS)
2	Visual position indicator	Polyamide (PA)
3	Valve spindle	Stainless steel 1.4305
4	Bonnet	Stainless steel 1.4308
5	Diaphragm	EPDM (AD), PTFE/EPDM (EA), advanced PTFE/EPDM (EU), GYLON®/laminated EPDM (ER)
6	Valve body	See "1. General technical data" on page 3.

3.3. Example of available diaphragm materials

The diaphragms have been developed to meet the unique challenges of hygienic and sterile requirements. Bürkert offers diaphragms with precise material composition and high accuracy. Bürkert diaphragms are available in a wide range of materials which have been tested and proven in applications in the food and beverage, biotechnology, pharmaceutical and cosmetics industries. The diaphragms are tested during development and production to ensure reliability under difficult process conditions.



- EPDM (AD)
- PTFE/EPDM (EA)
- Advanced PTFE/EPDM (EU)
- GYLON®/laminated EPDM (ER)

For further information please refer to our flyer "Diaphragm competence for hygienic applications" on our [website](#) ▶.

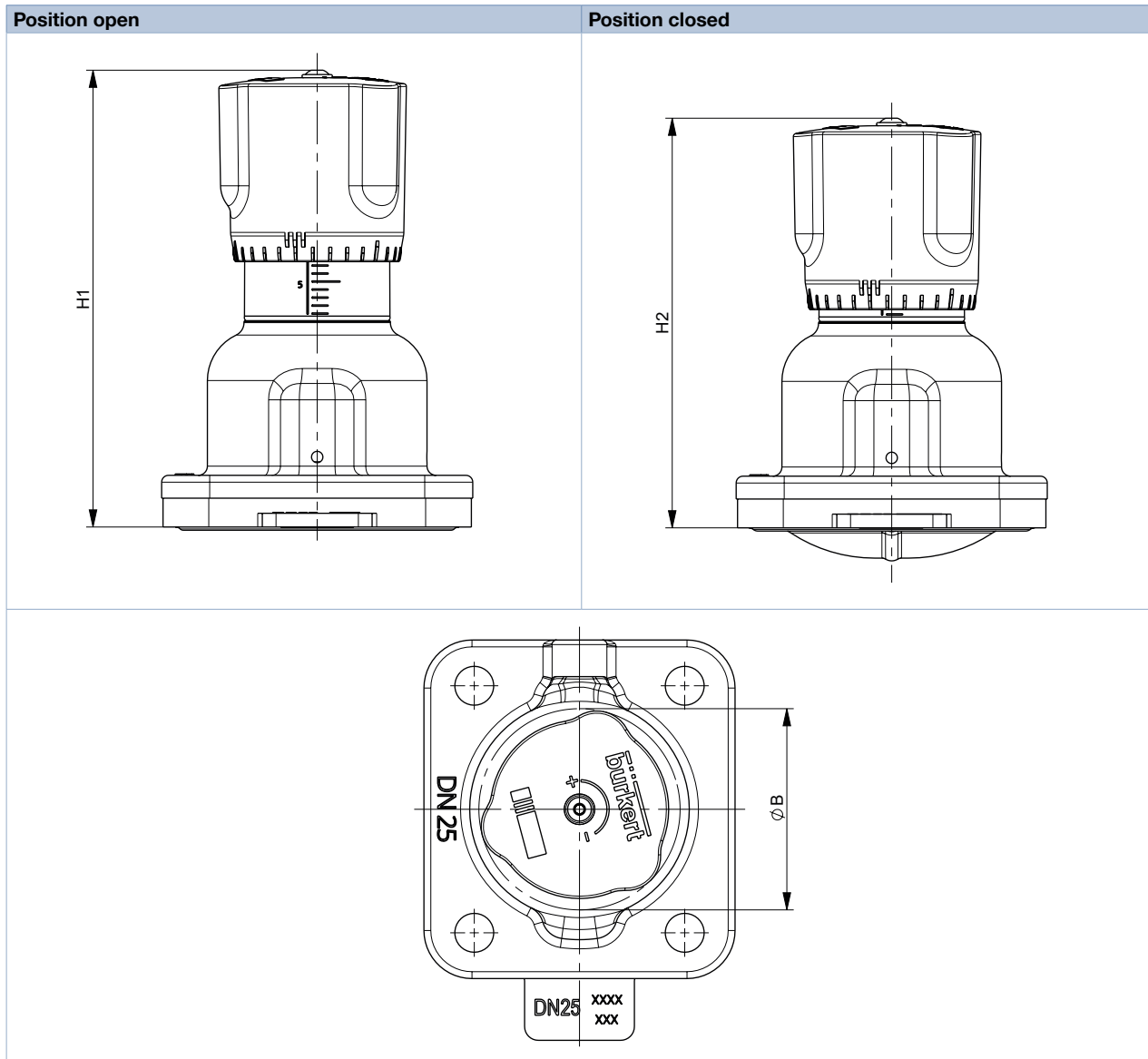
4. Dimensions

4.1. Manual actuator

Diaphragm size 8...25

Note:

Dimensions in mm, unless otherwise stated

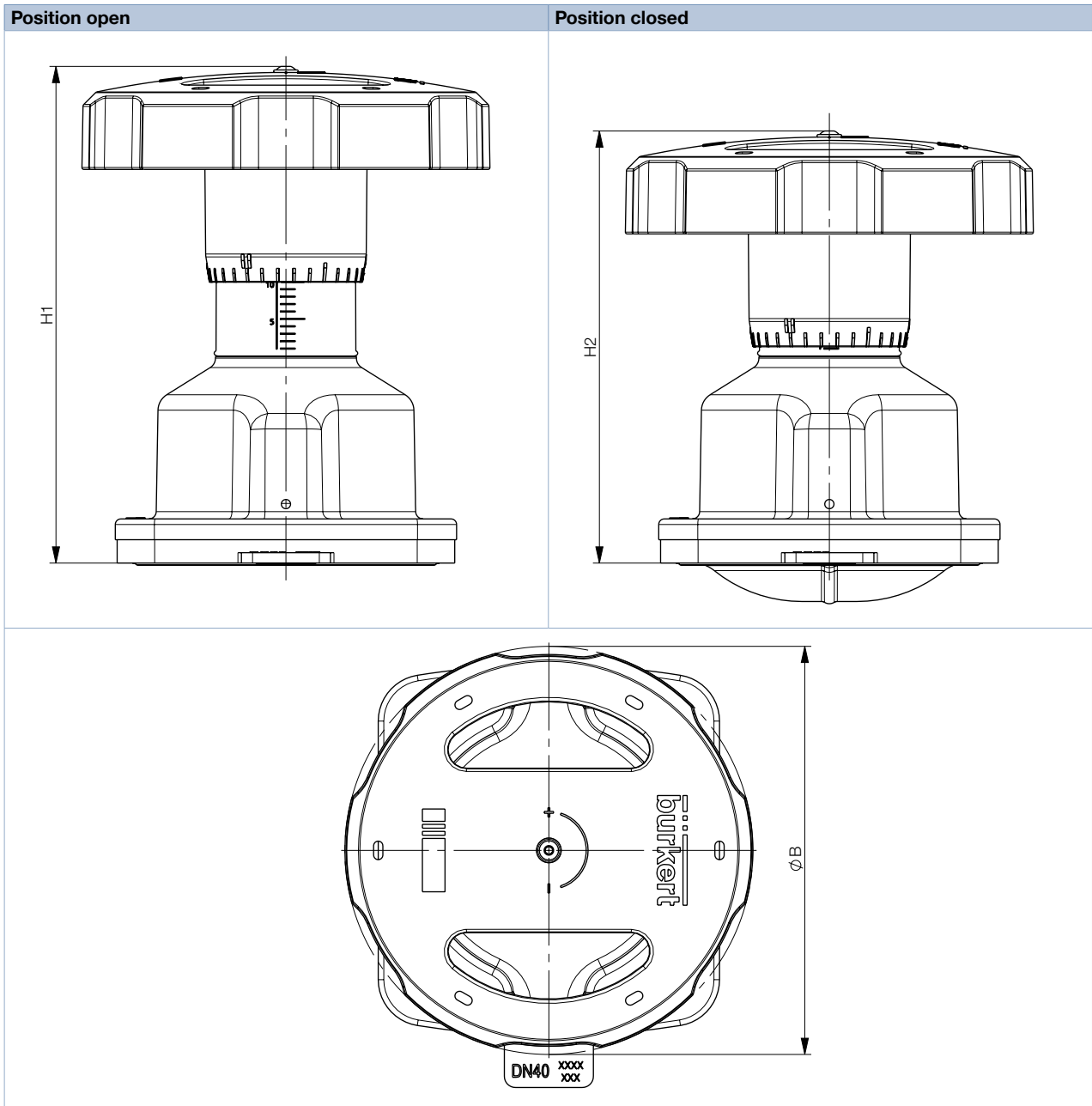


Diaphragm size	H1	H2	ØB
8	54.5	48.5	35
15	89.5	81.5	45
20	102	91	45
25	107.5	94.5	45

Diaphragm size 32...50

Note:

Dimensions in mm, unless otherwise stated

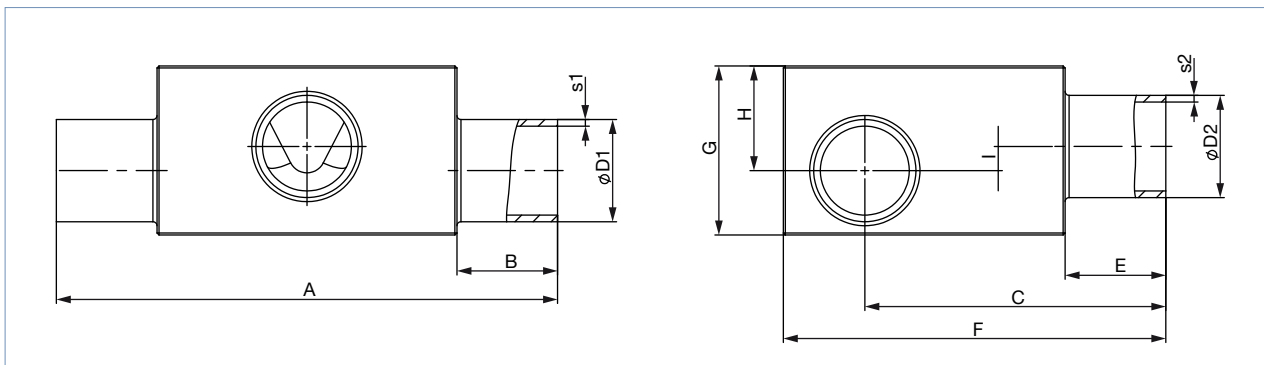


Diaphragm size	H1	H2	ØB
32	137	121	110
40	140	121	110
50	156	129	110

4.2. T-Body with welded connection

Note:

Dimensions in mm, unless otherwise stated



Dia-phragm size	Port 1 - Port 2 DN	ØD1	s1	ØD2	s2	A	B	C	E	F	G	H	I	Product key ^{1.)} (Port 1 - Port 2)
DIN EN ISO 1127/ISO 4200/DIN 11866 series B														
8	8...8	13.5	1.6	13.5	1.6	78.0	20	47.2	20	60	24	15	5.0	SA40-SA40
	10...8	17.2		13.5		78.0		49.00		60	29	18	8.0	SA41-SA40
	10...10	17.2		17.2		78.0		49.00		60	29	18	8.0	SA41-SA41
	15...8	21.3		13.5		78.0		51.1		64	34	21	11.0	SA42-SA40
	15...10	21.3		17.2		78.0		51.1		64	34	21	11.0	SA42-SA41
	20...8	26.9		13.5		88.0		25		53.9	70	38	23	13.0
	20...10	26.9	17.2	88.0	53.9	70	38		23	13.0	SA43-SA41			
	25...8	33.7	2.0	13.5	1.6	88.0	25	53.9	20	76	45	26	16.0	SA44-SA40
	25...10	33.7		17.2		88.0		53.9		76	45	26	16.0	SA44-SA41
	32...8	42.4		13.5		88.0		60.50		84	52	29	19.0	SA45-SA40
	32...10	42.4		17.2		88.0		61.20		84	52	29	19.0	SA45-SA41
	40...8	48.3		13.5		88.0		64.2		90	57	31	21.0	SA46-SA40
	40...10	48.3		17.2		88.0		64.2		90	57	31	20.0	SA46-SA41
	50...8	60.3	2.3	13.5	1.6	98.0	30	70.2	20	102	66	34	24.0	SA47-SA40
	50...10	60.3		17.2		98.0		70.2		102	66	34	24.0	SA47-SA41
	65...8	76.1		13.5		98.0		78.1		118	80	40	30.0	SA48-SA40
	80...8	88.9		13.5		98.0		84.2		131	92	46	36.0	SA49-SA40
	80...10	88.9		17.2		98.0		84.2		131	92	46	35.0	SA49-SA41

DTS 1000584284 EN Version: - Status: RL (released | freigegeben | validé) printed: 19.07.2023

Dia- phragm size	Port 1 - Port 2 DN	ØD1	s1	ØD2	s2	A	B	C	E	F	G	H	I	Product key ¹⁾ (Port 1 - Port 2)		
15	8...8	13.5	1.6	13.5	1.6	93.0	20	52.05	20	70	27	17	4.5	SA40-SA40		
	10...8	17.2		13.5		93.0		53.9		70	31	18	4.5	SA41-SA40		
	10...10	17.2		17.2		93.0		54.9		70	28	16	2.5	SA41-SA41		
	15...8	21.3		13.5		93.0		57		71	34.5	21	7.5	SA42-SA40		
	15...15	21.3		21.3		93.0		56		71	35	21	6.5	SA42-SA42		
	20...8	26.9		13.5		103.0		25		59.8	76	41	25	11.5	SA43-SA40	
	20...10	26.9		17.2		103.0				59.8	78	42	25	11.5	SA43-SA41	
	20...15	26.9		21.3		103.0				59.8	78	42	25	11.5	SA43-SA42	
	25...10	33.7		2.0		17.2				103.0	63	83	48	28	14.5	SA44-SA41
	25...15	33.7				21.3				103.0	62.8	83	47	28	14.5	SA44-SA42
	32...8	42.4				13.5				103.0	67.1	91	56	32	18.5	SA45-SA40
	32...10	42.4				17.2		103.0		67.1	91	56	32	18.5	SA45-SA41	
	32...15	42.4				21.3		103.0		67.1	91	56	32	18.5	SA45-SA42	
	40...8	48.3				13.5		103.0		70.1	97	63	35	21.5	SA46-SA40	
	40...10	48.3	17.2		103.0	70.1	97	63	35	21.5	SA46-SA41					
	40...15	48.3	21.3		103.0	70.1	97	63	35	21.5	SA46-SA42					
	50...8	60.3	13.5		113.0	30	76.1	109	72	38	24.5	SA47-SA40				
	50...10	60.3	17.2		113.0		76.1	109	72	38	24.5	SA47-SA41				
	50...15	60.3	21.3	113.0	76.1		109	72	38	24.5	SA47-SA42					
	65...8	76.1	13.5	113.0	84		125	85	44	30.5	SA48-SA40					
	65...15	76.1	21.3	113.0	84		125	85	44	30.5	SA48-SA42					
	80...8	88.9	2.3	13.5	113.0		90.1	140	99	52	38.5	SA49-SA40				
	80...10	88.9		17.2	113.0	90.1	137	94	47	33.5	SA49-SA41					
	80...15	88.9		21.3	113.0	90.1	137	94	47	33.5	SA49-SA42					
	100...15	114.3		21.3	113.0	102.8	163	120	60	46.5	SA39-SA42					
	20	20...20	26.9	1.6	26.9	1.6	114.0	25	70.3	25	87	40	24	6.0	SA43-SA43	
		25...20	33.7	2.0	26.9		114.0		73.3		94	48	28	10.0	SA44-SA43	
		32...20	42.4		26.9		114.0		78.6		102	57	33	15.0	SA45-SA43	
40...20		48.3	26.9		114.0		80.6		108		63	35	17.0	SA46-SA43		
50...20		60.3	26.9		124.0		30	87	120.8		72	39	21.0	SA47-SA43		
65...20		76.1	26.9	124.0	94.5			136	86		45	27.0	SA48-SA43			
80...20		88.9	2.3	26.9	124.0			100.6	148		94	47	29.0	SA49-SA43		
100...20		114.3		26.9	124.0			113.3	173		120	60	42.0	SA39-SA43		
25	25...25	33.7	2.0	33.7	2.0	124.5	25	78.6	25	98	53	33	13.0	SA44-SA44		
	32...25	42.4		124.5		82.9		107		62	38	18.0	SA45-SA44			
	40...25	48.3		124.5		85.9		114		69	41	21.0	SA46-SA44			
	50...25	60.3		33.7		134.5	30	81.9		125	78	45	25.0	SA47-SA44		
	65...25	76.1		33.7		134.5		99.8		142	94	52	32.0	SA48-SA44		
	80...25	88.9		2.3		33.7		134.5		105.9	153	101	54	34.0	SA49-SA44	
	150...25	168.3				2.6		33.7		134.5	145.3	232	174	87	67.0	SA69-SA44
40	32...32	42.4	2.0	42.4	2.0	152.0	25	98.00	25	122	62	38	9.4	SA45-SA45		
	40...32	48.3		42.4		152.0		100		128	68	41	12.4	SA46-SA45		
	40...40	48.3		48.3		152.0		100		128	68	41	12.4	SA46-SA46		
	50...32	60.3		42.4		162.0		30		106	140	82	48	19.4	SA47-SA45	
	50...40	60.3		48.3		162.0				106	140	82	48	19.4	SA47-SA46	
	65...40	76.1		48.3		162.0	113.9			155	97	55	26.4	SA48-SA46		
	80...32	88.9		2.3		42.4	162.0	120		168	108	60	31.4	SA49-SA45		
	80...40	88.9				48.3	162.0	120		168	108	60	31.4	SA49-SA46		
	100...32	114.3				42.4	162.0	132.7		193	129	68	39.4	SA39-SA45		
	100...40	114.3				48.3	162.0	132.7		193	129	68	39.4	SA39-SA46		
50	50...50	60.3	2.0	60.3	2.0	188.0	30	120.2	30	154	82	48	12.5	SA47-SA47		
	65...50	76.1		60.3		188.0		128.1		170	100	56	20.5	SA48-SA47		
	80...50	88.9	2.3	60.3		188.0		134.2		183	110	61	25.5	SA49-SA47		
	100...50	114.3		60.3		188.0	146.9	208		131	70	34.5	SA39-SA47			
	150...50	168.3		2.6		60.3	188.0	173.6		261	176	88	52.5	SA69-SA47		

Dia- phragm size	Port 1 - Port 2 DN	ØD1	s1	ØD2	s2	A	B	C	E	F	G	H	I	Product key ¹⁾ (Port 1 - Port 2)
DIN 11850 series 2/DIN 11866 series A/DIN EN 10357 series A														
8	10...10	13.0	1.5	13.0	1.5	78.0	20	47.0	20	60	24	15	5.0	SD40-SD40
	20...10	23.0		13.0		88.0	25	52.0		66	36	22	12.0	SD43-SD40
15	15...15	19.0	1.5	19.0	1.5	93.0	20	55.9	20	70	33	20	6.5	SD42-SD42
	20...15	23.0		19.0		103.0		57.9		72	37	22.5	9	SD43-SD42
	25...15	29.0		19.0		103.0	25	60.9		78	43	26	12.5	SD44-SD42
	32...15	35.0		19.0		103.0		63.9		84	49	29	15.5	SD45-SD42
	40...15	41.0		19.0		103.0		66.9		91	56	31	17.5	SD46-SD42
	50...15	53.0		19.0		113.0	30	72.9		102	65	36	22.5	SD47-SD42
20	20...20	23.0	1.5	23.0	1.5	114.0	25	68.7	25	85	36	21	-	SD43-SD43
	32...20	35.0		23.0		114.0		74.4		95	50	29	11.0	SD45-SD43
	40...20	41.0		23.0		114.0		77.4		101	56	32	14.0	SD46-SD43
25	25...25	29.0	1.5	29.0	1.5	124.5	25	76.7	25	98	48	30	10.0	SD44-SD44
	40...25	41.0		29.0		124.5		82.7		106	61	38	18.0	SD46-SD44
	50...25	53.0		29.0		134.5	30	88.7		120	73	44	24.0	SD47-SD44
40	32...32	35.0	1.5	35.0	1.5	152.0	25	95	25	119	52	32	9	SD45-SD45
	40...40	41.0		41.0		152.0		97.3		121	62	37	8.4	SD46-SD46
	50...40	53.0		41.0		162.0	30	102.8		133	75	45	16.4	SD47-SD46
50	50...50	53.0	1.5	53.0	1.5	188.0	30	117.0	30	147	74	44	8.5	SD47-SD47
ASME BPE/DIN 11866 series C														
8	20...8	19.05	1.65	6.35	0.89	88.0	25	49.90	20	61	32	20	10.0	SA93-SA90
	25...10	25.40		9.53		88.0	25	53.00		68	38	23	13.0	SODF-SA91
	40...8	38.10		6.35		88.0	25	59.40		80	49	28	18.0	SODH-SA90
	50...8	50.80		6.35		98.0	30	65.80		93	59	32	22.0	SODI-SA90
	65...8	63.50		6.35		98.0		72.10		106	70	36	26.0	SODJ-SA90
15	15...15	12.70	1.65	12.70	1.65	93.0	20	53.20	20	70	27	13.5	-	SA92-SA92
	20...15	19.05		12.70		103.0		55.80		70	31	18.5	5.0	SA93-SA92
	25...15	25.40		12.70		103.0		59.00		75	40	24	10.5	SODF-SA92
	40...15	38.10		12.70		103.0	25	65.30		88	54	31	17.5	SODH-SA92
	50...15	50.80		12.70		113.0	30	71.70		100	64	35	21.5	SODI-SA92
	65...15	63.50		12.70		113.0		78.00		113	73	38	24.5	SODJ-SA92
	80...15	76.20		12.70		113.0		84.40		125	84	43	29.5	SODK-SA92
20	20...20	19.05	1.65	19.05	1.65	114	25	66.30	25	85	36	18	-	SA93-SA93
	25...20	25.40		19.05		114		69.20		88	40	24	6.0	SODF-SA93
	40...20	38.10		19.05		114		75.80		98	53	31	13.0	SODH-SA93
	50...20	50.80		19.05		124	30	82.20		111	66	37	19.0	SODI-SA93
	65...20	63.50		19.05		124		88.50		123	75	40	22.0	SODJ-SA93
	80...20	76.20		19.05		124		94.90		136	85	44	26.0	SODK-SA93
	100...20	101.60		2.11		19.05	124			107.10	161	108	54	36.0
25	25...25	25.40	1.65	25.40	1.65	124.5	25	74.8	25	95	42	26	6.0	SODF-SODF
	40...25	38.10		25.40		124.5		81.1		103	58	36	16.0	SODH-SODF
	50...25	50.80		25.40		134.5	30	87.5		120	75	44	24.0	SODI-SODF
	65...25	63.50		25.40		134.5		93.8		129	82	47	27.0	SODJ-SODF
	80...25	76.20		25.40		134.5		100.15		142	94	52	32.0	SODK-SODF
40	40...40	38.10	1.65	38.10	1.65	152.0	25	99.60	25	121	58	35	6.4	SODH-SODH
	50...40	50.80		38.10		162.0	30	101.6		131	72	43	14.4	SODI-SODH
	65...40	63.50		38.10		162.0		107.90		143	85	50	21.4	SODJ-SODH
	80...40	76.20		38.10		162.0		114.3		156	98	56	27.4	SODK-SODH
50	50...50	50.80	1.65	50.80	1.65	188.0	30	115.8	30	145	71	42	6.5	SODI-SODI
	65...50	63.50		50.80		188.0		122.10		157	85	50	14.5	SODJ-SODI
	65...65	63.50		63.50		188.0		122.10		158	86	50	14.5	SODJ-SODJ
	80...50	76.20		50.80		188.0		128.5		169	98	56	20.5	SODK-SODI
	100...65	101.60		2.11		63.50		140.7		195	120	66	30.5	SODL-SODJ

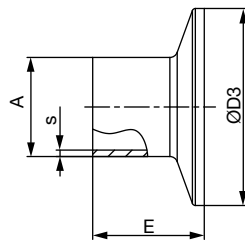
Dia-phragm size	Port 1 - Port 2 DN	ØD1	s1	ØD2	s2	A	B	C	E	F	G	H	I	Product key ^{1.)} (Port 1 - Port 2)				
SMS 3008																		
25	25...25	25.0	1.2	25.0	1.2	124.5	25	75.0	25	95	43	27	7.0	SA60-SA60				
	40...25	38.0		25.0		124.5		81.5						103	58	36	16.0	SA62-SA60
	50...25	51.0		25.0		134.5		30						88.0	118	72	42	22.0
40	40...40	38.0	1.2	38.0	1.2	152.0	25	95.6	25	121	58	35	6.4	SA62-SA62				
	50...40	51.0		38.0		162.0		30						102.1	131	73	44	15.4
50	50...50	51.0	1.2	51.0	1.2	188.0	30	120.2	30	154	82	48	2.5	SA63-SA63				
DIN 11850 series 0																		
8	04...04	6.0	1.0	6.0	1.0	78.0	20	44.0	20	60	15	6.5	0.0	SC40-SC40				
	06...06	8.0		8.0		75.0		17.5						46.5	60	13	7	0.0
	40...04	40.0	1.5	6.0	1.5	88.0	25	60.5	25	83	51	29	19.0	SC47-SC40				
	40...8	40.0		10.0		88.0		60.5						83	51	29	19.0	SC47-SC42
	50...04	52.0		6.0		98.0		30						66.5	95	60	32	22.0
15	50...15	52.0	1.5	18.0	1.5	113.0	30	72.4	20	101	65	36	22.5	SC48-SC43				
25	25...25	28.0	1.5	28.0	1.5	124.5	25	76.2	25	95	46	29	9.0	SC45-SC45				
	50...25	52.0		28.0		134.5		30						91.2	120	71	42	22.0
40	25...32	28.0	1.5	34.0	1.5	152.0	25	90.3	25	122	58	32	3.4	SC45-SC46				
	50...32	52.0		34.0		162.0		30						102.3	132	75	45	16.4
50	50...50	52.0	1.5	52.0	1.5	188.0	30	116.5	30	147	73	43	7.5	SC48-SC48				

1.) This information is part of the product key (see "6.3. Bürkert Product Enquiry Form" on page 13).

4.3. T-Body with clamp connection

Note:

Clamp dimensions must be added to the welded connection dimensions.



Port connection		A	s	D3	E	Product key ^{1.)}
[mm]	[inch]					
DIN 32676 series A (DIN pipe)						
10	–	13	1.5	34.0	18	TD41
15	–	19	1.5	34.0	18	TD42
20	–	23	1.5	34.0	18	TD43
25	–	29	1.5	50.5	21.5	TD44
32	–	35	1.5	50.5	21.5	TD45
40	–	41	1.5	50.5	21.5	TD46
50	–	53	1.5	64.0	21.5	TD47
DIN 32676 series B (ISO pipe)						
8	–	13.5	1.6	25.0	28.6	TC40
8	–	13.5	1.6	34.0 ^{2.)}	28.6	TC51 ^{2.)}
10	–	17.2	1.6	34.0 ^{2.)}	28.6	TC41 ^{2.)}
15	–	21.3	1.6	34.0 ^{2.)}	28.6	TC42 ^{2.)}
15	–	21.3	1.6	50.5	28.6	TC52
20	–	26.9	1.6	50.5	28.6	TC43
25	–	33.7	2	50.5	28.6	TC44
32	–	42.4	2	50.5 ^{2.)}	28.6	TC45 ^{2.)}
40	–	48.3	2	64.0	28.6	TC46
50	–	60.3	2	77.5	28.6	TC47
ASME BPE						
8	1/4"	6.35	0.89	25.0	28.6	TG50
10	3/8"	9.53	0.89	25.0	28.6	TG01
15	1/2"	12.7	1.65	25.0	28.6	TG02
20	3/4"	19.05	1.65	25.0	28.6	TG03
25	1"	25.4	1.65	50.5	28.6	TG04
40	1 1/2"	38.1	1.65	50.5	28.6	TG05
50	2"	50.8	1.65	64.0	28.6	TG06

1.) This information is part of the product key (see "6.3. Bürkert Product Enquiry Form" on page 13).

2.) Deviating from standard, because of different clamp outer diameter

5. Performance specifications

5.1. Medium pressure

Diaphragm size	Actuator material	Max. operating pressure for seal material EPDM, PTFE/EPDM, advanced PTFE/EPDM, GYLON®/laminated EPDM
DN		Max. [bar]
8...50	Stainless steel/PPS	10

6. Ordering information

6.1. Bürkert eShop



Bürkert eShop – Easy ordering and quick delivery

You want to find your desired Bürkert product or spare part quickly and order directly? Our online shop is available for you 24/7. Sign up and enjoy all the benefits.

[Order online now](#)

6.2. Bürkert product filter



Bürkert product filter – Get quickly to the right product

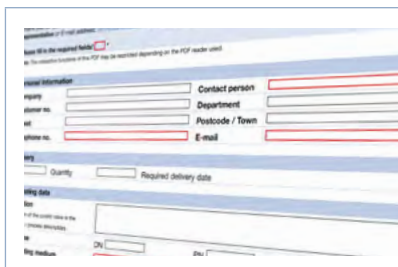
You want to select products comfortably based on your technical requirements? Use the Bürkert product filter and find suitable articles for your application quickly and easily.

[Try out our product filter](#)

6.3. Bürkert Product Enquiry Form

Note:

Please see our Product Enquiry Form for a full explanation of our specification key.



Bürkert Product Enquiry Form – Your enquiry quickly and compactly

Would you like to make a specific product enquiry based on your technical requirements? Use our Product Enquiry Form for this purpose. There you will find all the relevant information for your Bürkert contact. This will enable us to provide you with the best possible advice.

[Fill out the form now](#)

Bürkert – Close to You

For up-to-date addresses
please visit us at
www.burkert.com

DTS 1000584284 EN Version: - Status: RL (released | freigegeben | validé) printed: 19.07.2023

Austria
Belgium
Czech Republic
Denmark
Finland
France
Germany
Italy
Netherlands

Norway
Poland
Spain
Sweden
Switzerland
Turkey
United Kingdom

