

3/2-way solenoid valve
 NC - Valve normally closed (as standard)
 NO - Valve normally open (as option)

Direct controlled valve.
 No differential pressure is necessary for operation. When energized, the valve seat is opened directly.
 In standard (NC) the valve closes with spring power.

■ Solenoid valve for gaseous and liquid media

TECHNICAL SPECIFICATIONS

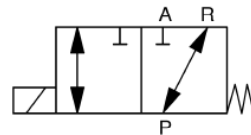
Type of control	Direct operated, no pressure difference necessary
Design	Coaxial-valve
Connection	Sleeve connection G3/8 - G2 DIN ISO 228/1 (BSP) <small>Further connections like NPT on request</small>
Installation	Preferable with actuator upright
Pressure	0 - 64 bar (see table on page 2)
Medium	Clean, neutral gaseous and liquid media
max. viscosity	ca. 1500 mm ² /s
Temperature range	Medium: -10 °C / +100 °C Environment: -10 °C / +50 °C
Body material	Brass 2.0401 Stainless steel 1.4305
Metallic inner parts	Brass and st. steel
Sealing	FKM und PTFE
Supply voltage	AC~ 230V DC= 24V <small>Other supply voltages on request</small>
Voltage tolerance	-10% / +10%
Power consumption	see table on page 2
Protection class	IP65 according to DIN 60529
Duty factor	100% ED-VDE 0580
Connection type	Device plug DIN 43650

VALVE FEATURES

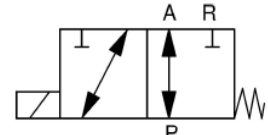
- No pressure difference required
- High life time
- Simple compact valve design
- Reliable and sturdy sealing elements
- Long-term availability of spare parts

FUNCTION

NC - normally closed

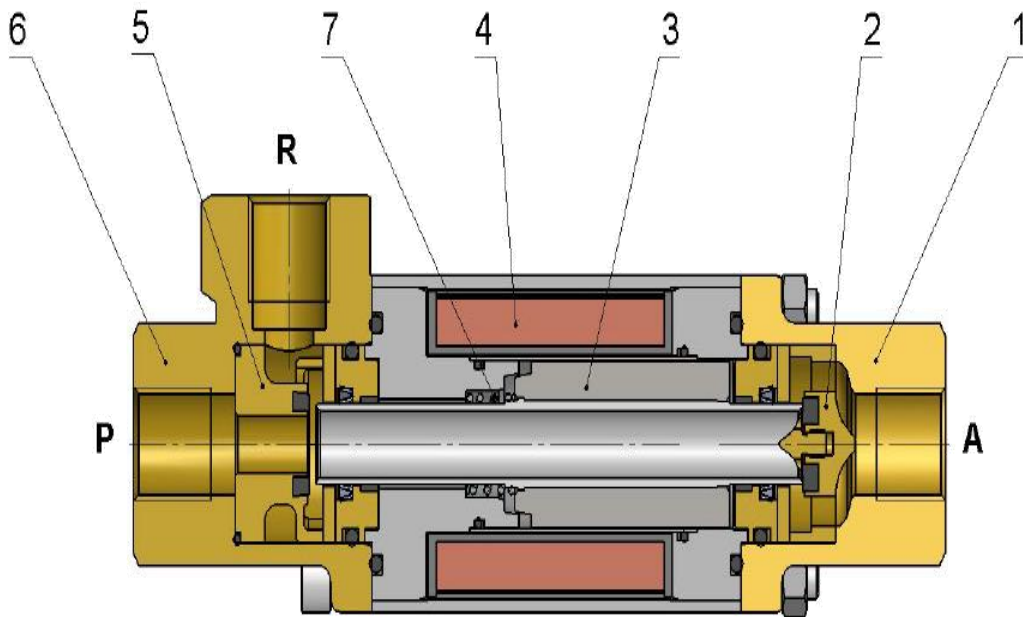


NO - normally open



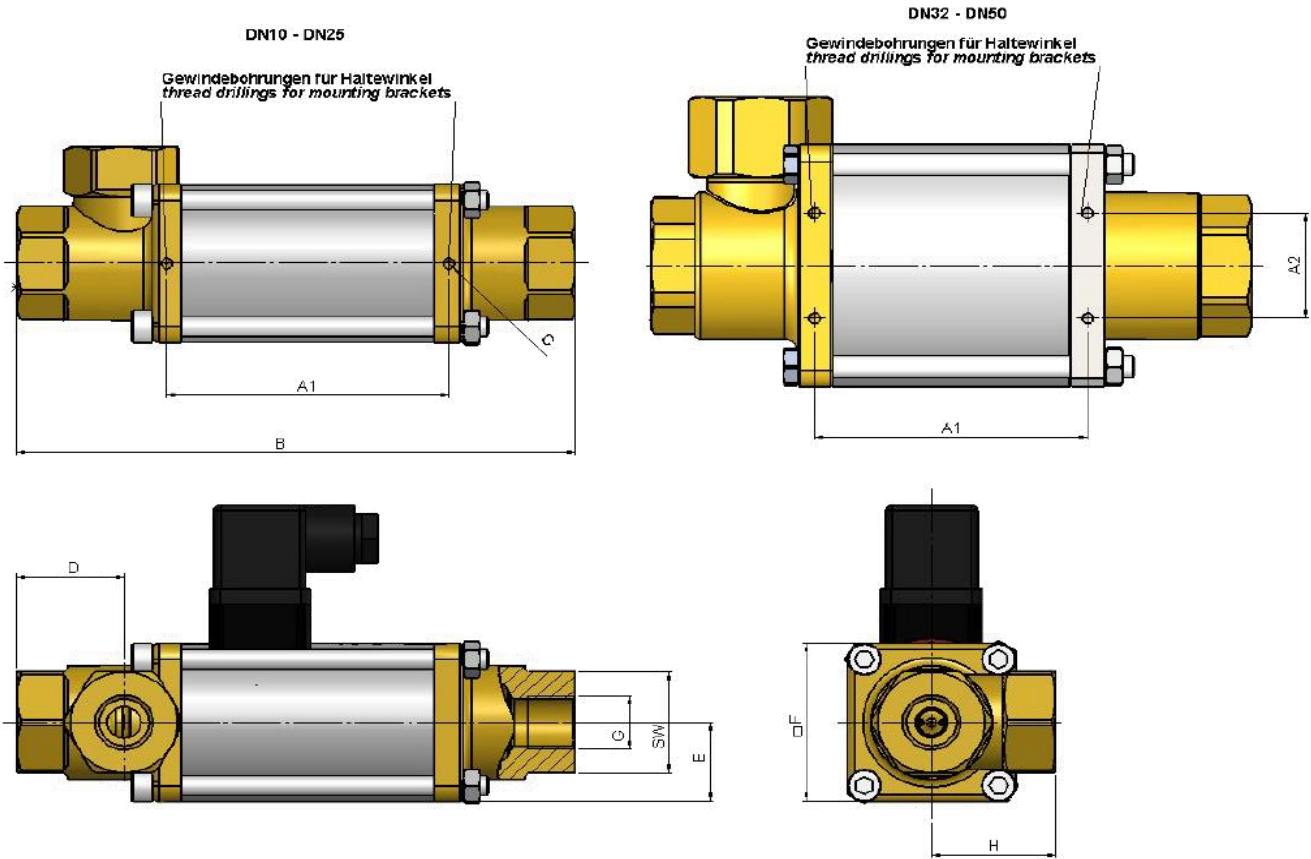
TECHNICAL FEATURES

G	Seat Ø mm	Kv-value m³/h	Standard type	Actuat. R370	Actuat. R371	Consumption [Watt] R370 / R371	
				max. pressure [bar]	max. pressure [bar]	24 VDC	230 V 50/60Hz
3/8	10	2,0	3/918-59-..02-	0-40	0-64	35 / 44	41 / 53
3/8	15	5,6	3/918-22-..02-	0-40	0-64	40 / 50	45 / 55
1/2	10	2,0	3/918-69-..02-	0-40	0-64	35 / 44	41 / 53
1/2	15	5,6	3/918-23-..02-	0-40	0-64	40 / 50	45 / 55
3/4	20	8,0	3/918-24-..02-	0-40	0-64	45 / 53	53 / 59
1	25	11,5	3/918-25-..02-	0-40	0-64	60 / 77	68 / 85
1 1/4	32	17,9	3/918-26-..02-	0-40	0-64	73 / 73	76 / 76
1 1/2	40	41,5	3/918-27-..02-	0-16	-	73 / -	90 / -
2	50	43,0	3/918-28-..02-	0-16	-	73 / -	90 / -



Pos.	Description
1	2/2-way Connection
2	2/2-way Valve seat
3	Plunger
4	Solenoid coil
5	3/2-way Valve seat
6	3/2-way Connection
7	Spring

DIMENSIONS



Type	3/918-59	3/918-22	3/918-69	3/918-23	3/918-24	3/918-25	3/918-26	3/918-27	3/918-28
G	3/8	3/8	1/2	1/2	3/4	1	1 1/4	1 1/2	2
SW	32	41	32	41	46	55	60	75	75
A1	84	100	84	100	108	121	122	131	131
A2	-	-	-	-	-	-	50	60	60
B	166,5	200	166,5	200	228	252	269	304	304
C	M4	M5	M4	M5	M5	M5	M6	M6	M6
D	32	38,5	32	38,5	45,5	48	49,5	56,5	56,5
E	25	35	25	35	40	45	57,5	65	65
F	50	70	50	70	80	90	115	130	130
H	37	60	37	60	72	80	80	84	84
H	1,9	4,0	1,9	4,0	6,0	7,5	13,4	18,7	18,5

INFORMATION

- It is imperative to observe the installation and safety instructions in our operating and service manuals.
- Required ordering information: valve type, function NC/NO, pressure range, connection, nominal width, medium, flow rate, medium and ambient temperatures, connection voltage.
- **For information on the heating and performance of solenoid coils, refer to the corresponding "Coils" data sheet.**
- **Detailed production-specific drawings and other technical information will be made available when an order is placed.**

PLEASE NOTE

Each individual application decides which valve type is required, the main factor being the resistance of the materials to the operating medium. The correct selection of materials requires knowledge of the concentration, temperature and degree of contamination of the medium. Other criteria include the operating pressure and max. volumetric flow, since, in addition to high temperatures, high pressures and high flow rates must also be taken into account when selecting the materials.

All materials used for our valves, be it housing, seals or magnets, will be carefully selected in view of the different application areas. Any information given is non-binding and serves for orientation only. No claims under warranty can be derived therefrom.

ORDERING CODE

Type	Connection	Body	Sealing	Coil
3/918	2 3	1 0	0 2	R 3 7 0

59	G 3/8 DN10	06	St.steel 1.4305
22	G 3/8	10	Brass 2.0401
69	G 1/2 DN10		
23	G 1/2	02	FKM
24	G 3/4		
25	G 1		
26	G 1 1/4		
27	G 1 1/2		
28	G 2		

The GSR logo is a registered trademark of GSR Ventiltechnik GmbH & Co. KG

Note: All texts and images are the property of GSR Ventiltechnik GmbH & Co. KG and must not be replicated or modified, not even in part, without written approval

Original products may differ from the product images shown, due to different materials and the like

Subject to error and changes

GSR Ventiltechnik
GmbH & Co. KG
Im Meisenfeld 1
D-32602 Vlotho
T +49 5228 779-0
info@ventiltechnik.de
www.ventiltechnik.de